

DuraPlus Basic Kit



Kit includes: DVL/DuraBlack Chimney Adapter, Snap-Lock Adapter, 11" Square Ceiling Support Box with Trim, Adjustable Flashing 0/12-6/12, Chimney Cap, Storm Collar, and Attic Insulation Shield. Only available in 6" diameter. Pipe not included. Can be used for cathedral ceiling installations.

Use for typical through-the-roof installations.

SIZE	6"
STOCK #	9085

DuraPlus Manufactured Home Kit



Kit includes: DVL/DuraBlack Adapter, 24" Square Ceiling Support Box with Trim, Adjustable Flashing 0/12-6/12, Chimney Cap, Storm Collar, and (2) 24" DuraPlus Chimney Pipe (galvanized). Only available in 6" diameter. Can be used for cathedral ceiling installations.

Use for manufactured home through-the-roof installations.

SIZE	6"
STOCK #	9086

DuraPlus Through-The-Wall Kit



Kit includes: DVL/DuraBlack Chimney Adapter, Snap-Lock Adapter, 9" DuraPlus Chimney Pipe (galvanized), Wall Thimble, Tee w/ Cap, (2) Adjustable Wall Strap, Tee Support Bracket, and Chimney Cap. Only available in 6" diameter.

Use for through-the-wall installations.

SIZE	6"
STOCK #	9088

Pipe Selection Chart

Installed Chimney Height	Chimney Sections Used				Installed Chimney Height	Chimney Sections Used			
	6"	12"	24"	36"		6"	12"	24"	36"
6"	1				14'-10 1/2"	1			5
1'		1			15'-4 1/2"		1		5
2'			1		16'-4 1/2"			1	5
3'				1	17'-4 1/2"				6
3'-4 1/2"	1			1	17'-9"	1			6
3'-10 1/2"		1		1	18'-3"		1		6
4'-10 1/2"			1	1	19'-3"			1	6
5'-10 1/2"				2	20'-3"				7
6'-3"	1			2	20'-7 1/2"	1			7
6'-9"		1		2	21'-1 1/2"		1		7
7'-9"			1	2	22'-1 1/2"			1	7
8'-9"				3	23'-1 1/2"				8
9'-1 1/2"	1			3	23'-6"	1			8
9'-7 1/2"		1		3	24'		1		8
10'-7 1/2"			1	3	25'			1	8
11'-7 1/2"				4	26'				9
12'	1			4	26'-4 1/2"	1			9
12'-6"		1		4	26'-10 1/2"		1		9
13'-6"			1	4	27'-10 1/2"			1	9
14'-6"				5	28'-10 1/2"				10

Chimney Pipe

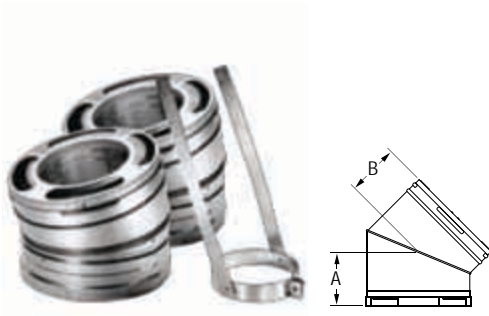


Designed for appliances tested and listed for use with wood stoves, fireplaces, furnaces, boilers, stoves, ranges, water heaters, or other appliances fueled by wood, oil, coal, or gas. 6", 9", and 12" chimney pipe has 1" insulation blanket; 24", 36" chimney pipe has 1/2" insulation. To calculate the installed length of DuraPlus chimney pipe, subtract 1 1/2" from each length of chimney pipe.

Additional protective carton foam for shipping is available, items have stock numbers with (CF).

SIZE	6"	7"	8"
A	6"	7"	8"
B	10"	11"	12"
LENGTH			
6"	9006	9106	9206
9"	9019	9119	9219
12"	9014	9114	9214
24"	9021	9121	9221
24"	--	--	9221CF
24"SS	9021SS	9121SS	9221SS
24" SS	--	--	9221SSCF
36"	9017	9117	9217
36"	9017CF	--	9217CF
36" SS	9017SS	9117SS	9217SS
36" SS	9017SSCF	--	9217SSCF

Elbow Kit

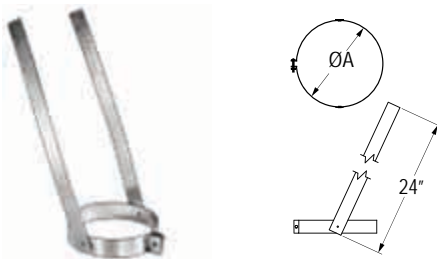


Kit includes: (2) elbows and one Elbow Strap.

Use for offsets around obstructions such as rafters, ridgepoles, or joists. May have two pairs of elbows, if needed. Offsets greater than 30° are not permitted in accordance to UL 103 standards. Elbows swivel 360° at base (angles are not adjustable). A pair of elbows is required to return an offset chimney back to vertical. Available in stainless steel (SSKIT) or galvalume (KIT) outer wall.

15°	STOCK #	A	B
6"	9064KIT	4"	3 3/4"
6"	9064SSKIT	4"	3 3/4"
7"	9164KIT	4 1/4"	4 1/8"
7"	9164SSKIT	4 1/4"	4 1/8"
8"	9264KIT	4 1/4"	4 1/4"
8"	9264SSKIT	4 1/4"	4 1/4"
30°	STOCK #	A	B
6"	9066KIT	4 1/2"	4 3/4"
6"	9066SSKIT	4 1/2"	4 3/4"
7"	9166KIT	4 5/8"	4 3/4"
7"	9166SSKIT	4 5/8"	4 3/4"
8"	9266KIT	5"	4 3/4"
8"	9266SSKIT	5"	4 3/4"

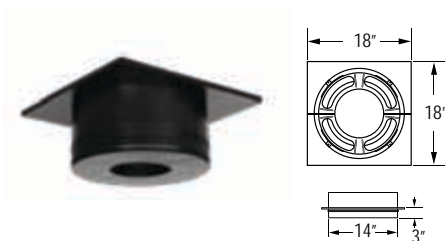
Elbow Strap



Use to prevent excessive weight on the elbows by supporting the weight of the chimney. Required to be installed between two elbows in offset installations. Multiple elbow straps may be required for offset installations. Refer to installation instructions.

SIZE	6"	7"	8"
A	10"	11"	12"
STOCK #	9060	9160	9260

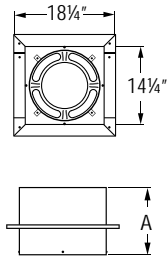
Round Ceiling Support



Supports chimney pipe and provides a positive connection between support box and chimney with a built-in twist-lock. Supports up to 40' of DuraPlus Chimney. Use adapter to attach DVL or DuraBlack to the support box. Painted black. Trim collar included. (For adapters see DVL/DuraBlack section.)

SIZE	6"	7"	8"
STOCK #	9045N	9145N	9245N

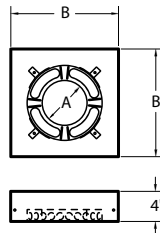
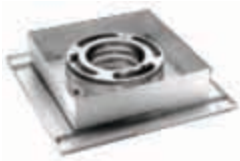
Square Ceiling Support Box



Use with flat, vaulted, or cathedral ceilings. Square Ceiling Support Box is painted black. Refer to Ceiling Pitch table to determine size of support box needed. Supports up to 40' of DuraPlus Chimney. Starter Section built in. For adapters, see DVL/DuraBlack section.

SIZE	STOCK #	A	CEILING PITCH		
			DURABLACK	DVL	USE
6"	9048AN	11"	0/12 - 4/12	0/12 - 6/12	11" Support box
6"	9048BN	24"			
6"	9048DN	36"	5/12 - 9/12	7/12 - 13/12	24" Support box
7"	9148AN	11"	10/12 - 14/12	14/12 - 20/12	36" Support box
7"	9148BN	24"			
7"	9148DN	36"			
8"	9248AN	11"			
8"	9248BN	24"			
8"	9248DN	36"			

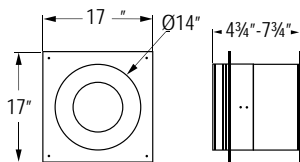
Flat Ceiling Support Box



Supports chimney pipe and provides a positive connection between support box and chimney with a built-in twist-lock. Designed for installation in flat ceilings only. Supports up to 35' of DuraPlus chimney pipe. Use adapter to attach DVL or DuraBlack to the support box. A 2" wide trim collar is included. Not painted, but can be painted with high temperature paint. For adapters, see DVL/DuraBlack section.

SIZE	STOCK #	A	B
6"	9047N	6 1/4"	14 1/4"
7"	9147N	7 1/4"	14 1/4"
8"	9247N	8 1/4"	14 1/4"

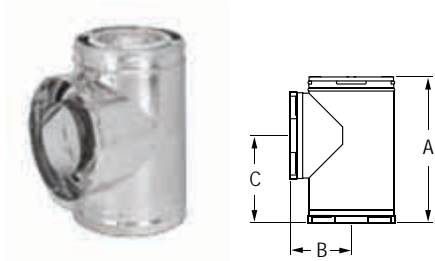
Wall Thimble



Adjusts from a minimum of 4 3/4" to a maximum of 7 3/4" wall thickness, and fits between standard wall studs. To accommodate thicker walls, the telescoping pieces can be extended up to 16" with a field-fabricated extension installed. Interior trim ring painted black. Must be installed with DuraPlus chimney pipe horizontally through the wall and extend a minimum of 2" into the room beyond the interior wall. For adapters, see DVL/DuraBlack section.

SIZE	STOCK #	WHEN USING A WALL THIMBLE	
		WALL THICKNESS	INSTALL PIPE SECTION
6"	9043N		
6"	9043SS	4 1/2"	6"
7"	9143N	4 1/2" - 5 1/2"	9"
7"	9143SS	5 1/2" - 6 1/2"	12"
8"	9243N	8 1/2" - 13"	(2) 9"
8"	9243SS		

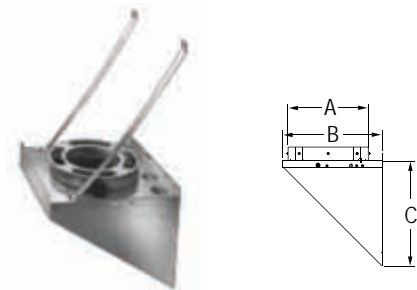
Tee with Cap



Use for through-the-wall chimney installations. The tee clean-out cap is removable for easy chimney cleaning or inspection. Wall Straps, a Wall Thimble, and a Tee Support must be installed with the Tee as directed. Tees have 1" insulating blanket. Ventilation air for chimney must be drawn from outdoors. (See installation instructions.)

SIZE	STOCK #	A	B	C
6"	9067	13 7/8"	7 1/2"	8 1/4"
6"	9067SS	13 7/8"	7 1/2"	8 1/4"
7"	9167	15 3/8"	8"	8 3/4"
7"	9167SS	15 3/8"	8"	8 3/4"
8"	9267	16"	8 1/2"	9"
8"	9267SS	16"	8 1/2"	9"

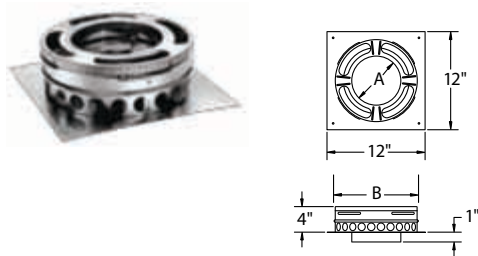
Tee Support Bracket



Use to support the Tee; suspended from a wall. Supports up to 35' of DuraPlus Chimney. Starter Section built in.

SIZE	STOCK #	A	B	C
6"	9072	10"	14"	12"
6"	9072SS	10"	14"	12"
7"	9172	11"	15"	13"
7"	9172SS	11"	15"	13"
8"	9272	12"	16"	14"
8"	9272SS	12"	16"	14"

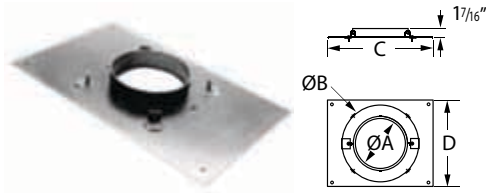
Base Plate



Use to adapt on a zero-clearance fireplace when using DuraPlus directly off the unit. Starter Section built in.

SIZE	STOCK #	A	B
6"	9001	6"	10"
7"	9101	7"	11"
8"	9201	8"	12"

Transition Anchor Plate



Use Transition Anchor Plate with DuraPlus when extending or converting from DuraLiner to DuraPlus in chimney restoration. Use with DuraLiner Slip Connector and Hanger. (See DuraLiner section.)

SIZE	STOCK #	A	B	C	D
6"	9040A	6 1/16"	10 3/8"	17"	14"
6"	9040B	6 1/16"	10 3/8"	17"	17"
6"	9040C	6 1/16"	10 3/8"	21"	13"
6"	9040D	6 1/16"	10 3/8"	21"	17"
8"	9240A	8 1/16"	12 3/8"	17"	14"
8"	9240B	8 1/16"	12 3/8"	17"	17"
8"	9240C	8 1/16"	12 3/8"	21"	13"
8"	9240D	8 1/16"	12 3/8"	21"	17"

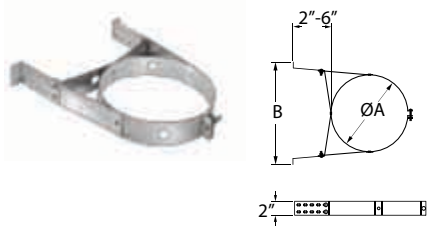
Starter Section



Use only when converting from DuraLiner to DuraPlus and the DuraPlus Chimney is going to be enclosed in a chase. (See DuraLiner installation instructions.)

SIZE	STOCK #	A	B
6"	9011	6"	10"
8"	9211	8"	12"

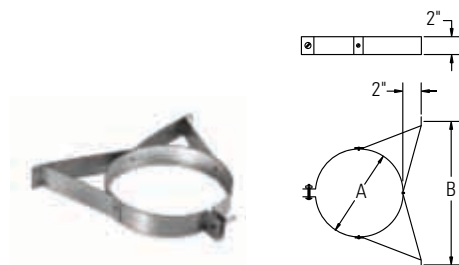
Adjustable Wall Strap



Use in interior or exterior installations to support and to stabilize the chimney while assuring a 2" clearance. Wall straps are required every 8' on exterior of building. Adjusts 2"-6" from wall.

SIZE	STOCK #	A	B
6"	9069	10"	16 1/8"
7"	9169	11"	17 1/8"
8"	9269	12"	18 1/8"

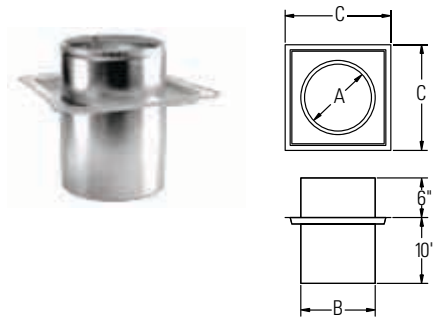
Wall Strap



Use in interior or exterior installations to support and to stabilize the chimney while assuring a 2" clearance. Wall straps are required every 8' on exterior of building only.

SIZE	STOCK #	A	B
6"	9068	10"	16"
6"	9068SS	10"	16"
7"	9168	11"	16"
7"	9168SS	11"	16"
8"	9268	12"	16"
8"	9268SS	12"	16"

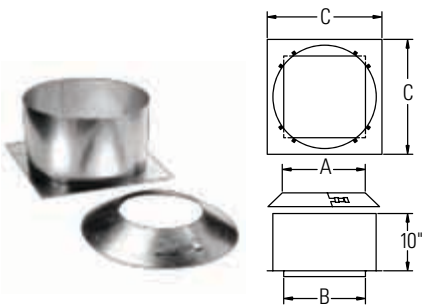
Firestop Radiation Shield



Use in ceiling/floor penetrations when a ceiling support is not used. Not required when passing through the roof. Fits on underside of ceiling and adjusts to cover framing. See installation instructions for proper placement.

SIZE	STOCK #	A	B	C
6"	9044	10 3/16"	10 7/8"	16 1/2"
7"	9144	11 3/16"	11 7/8"	16 1/2"
8"	9244	12 3/16"	12 7/8"	16 1/2"

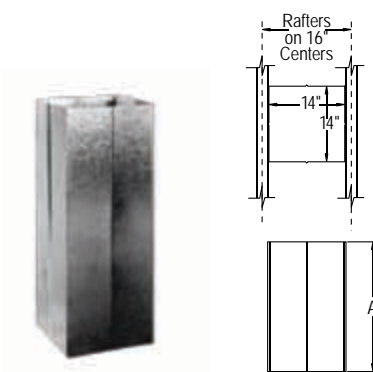
Attic Insulation Shield



Required for installations that pass through an attic to prevent insulation and debris from accumulating near the chimney. Fits over Firestop Radiation Shield or a support box. Consists of two parts: a collar and a base.

SIZE	STOCK #	A	B	C
6" - 8"	9946	10", 11", 12"	14 1/4"	20"

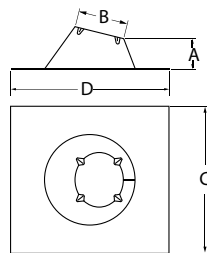
Close Clearance Shield



Use in installations where a 7" or 8" Simpson Dura-Vent chimney system passes through a roof opening with less than the normal 2" minimum clearance to roof trusses or rafters. Chimney pipe must be centered within Close Clearance Shield. (See installation instructions.)

SIZE	STOCK #	A
6" - 8"	9980A	36"
6" - 8"	9980B	48"
6" - 8"	9980C	60"

Roof Flashing



Use to weather proof the penetration of chimney pipe through the roof. Storm Collar required. Select roof flashing based on pitch of roof. For example, a 6/12 pitch has a vertical rise of 6" over a horizontal distance of 12". Made of galvalume.

SIZE		6"	7"	8"
FLAT ROOF	A	10 3/4"	10 3/4"	11"
	B	10 1/2"	11 3/4"	12 3/4"
	C	26"	29 1/2"	29 1/2"
	D	26"	29 1/2"	29 1/2"
	STOCK #	9051V	9151V	9251V
0/12-6/12 PITCH	A	6"	6"	6"
	B	10 3/4"	11 3/4"	12 3/4"
	C	26"	26"	26"
	D	28"	28"	28"
	STOCK #	9049V	9149V	9249V
7/12-12/12	STOCK #	9050V	9150V	9250V
13/12-18/12	STOCK #	9081V	9181V	9281V
19/12-24/12	STOCK #	9052V	9152V	9252V

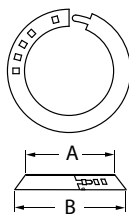
DSA Roof Flashings



Use with metal or tile roofs. Available in sizes 6" and 8", in 0/12-6/12 (shown) and 7/12-12/12 styles. Made of dead soft aluminum. Refer to Roof Flashing table for dimensions.

SIZE	6"	8"
0/12-6/12	9049DSA	9249DSA
7/12-12/12	9050DSA	9250DSA

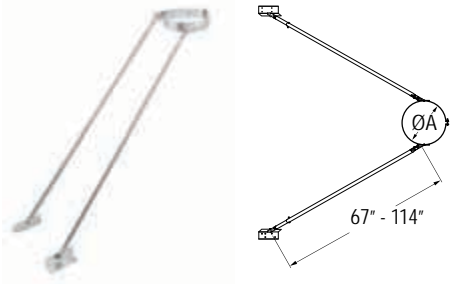
Storm Collar



Required with DuraPlus flashing to create a weather proof penetration through the roof deck. Seal inner edge of the collar to the chimney pipe with non-hardening 500° F high-temperature sealant.

SIZE	6"	7"	8"
A	10"	11"	12"
B	13"	14"	15"
STOCK #	9959		

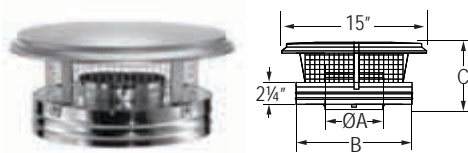
Extended Roof Bracket



Use to support the chimney when it extends more than 4' above the roof. Provides stability to chimney against wind and snow. Mounting brackets and adjustable legs included.

SIZE	6"	7"	8"
A	10"	11"	12"
STOCK #	9061	9161	9261

Chimney Cap



Required where chimney pipe terminates above the roofline. Removable screws allow for cleaning of the chimney and spark arrester screen. Made of stainless steel. Shown with optional Spark Arrester screen.

SIZE	6"	7"	8"
A	6"	7"	8"
B	12"	13"	14"
C	7"	8"	8"
STOCK #	9084	9184	9284

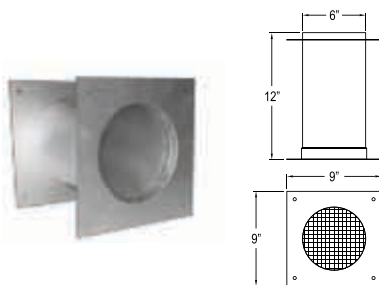
Spark Arrester



Use on inside of cap. Optional Spark Arrester may be required.

SIZE	6"	7"-8"
STOCK #	9082	9482

Chase Air Intake w/ Rodent Guard



Allows required ventilation air into chase. Screen keeps rodents out.

SIZE	6"
STOCK #	1468