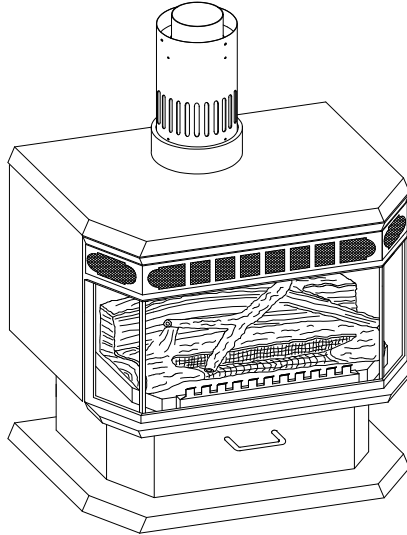
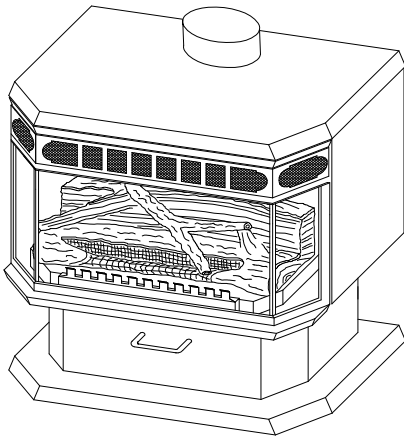




Beyond fire...

**LA 30
FREESTANDING STOVE
OWNER'S MANUAL**



WARNING: If the information in these instructions is not followed exactly, a fire or explosion may result causing property damage, personal injury or death.

FOR YOUR SAFETY: Do not store or use gasoline or other flammable vapors and liquids in the vicinity of this or any other appliance.

Installation and service must be performed by a qualified installer, service agency or the gas supplier.

WHAT TO DO IF YOU SMELL GAS:

- Do not try to light any appliance.
- Do not touch any electric switch; do not use any phone in your building.
- Immediately call your gas supplier from a neighbor's phone. Follow the gas supplier's instructions.
- If you cannot reach your gas supplier, call the fire department.

THE INSTALLATION MUST BE IN ACCORDANCE WITH LOCAL CODES OR, IN THE ABSENCE OF LOCAL CODES, WITH THE CURRENT **NATIONAL FUEL GAS CODE ANSI Z233.1 (USA)** OR THE CURRENT **CAN/CGA B149.1-M86 INSTALLATION CODES (CANADA)**

Stove Builder International INC.
1700, Léon-Harmel, Québec (Québec) G1N 4R9
Tél : (418) 527-3060
Fax : (418) 527-4311
www.osburn-mfg.com

TABLE OF CONTENTS

1.0	INTRODUCTION.....	1
1.1	SPECIFICATIONS	1
1.2	FEATURES.....	3
1.3	INTENDED USE	3
1.4	GENERAL SAFETY	3
2.0	OPERATION	4
2.1	OPERATION SAFETY	4
2.2	LIGHTING INSTRUCTIONS	5
2.3	HEAT OUTPUT ADJUSTMENT	6
3.0	INSTALLATION	7
3.1	INSTALLATION & SAFETY NOTES	7
3.2	UNPACKING	7
3.3	INSTALLATION.....	7
3.3.1	BEDROOM INSTALLATION.....	7
3.3.2	MINIMUM CLEARANCES TO COMBUSTIBLE CONSTRUCTION	7
3.3.3	CHIMNEY VENT INSTALLATION.....	8
3.3.3.1	DIRECT VENT	8
3.3.3.2	OPTIONAL B-VENT INSTALLATION.....	13
3.3.4	GAS LINE INSTALLATION.....	13
3.3.5	THERMOSTAT, WALL SWITCH, OR REMOTE CONTROL INSTALLATION	14
3.3.6	FIREBOX COMPONENT INSTALLATION.....	16
3.3.6.1	OPTIONAL EMBER INSTALLATION	16
3.3.7	INITIAL FIRING	17
3.3.7.1	MANIFOLD PRESSURE REGULATOR ADJUSTMENT	17
3.3.7.2	PILOT FLAME ADJUSTMENT.....	17
3.3.7.3	ALTITUDE ADJUSTMENT	17
3.4	MANUFACTURED (MOBILE) HOME INSTALLATION	19
3.5	FIELD CONVERSIONS.....	20
4.0	MAINTENANCE.....	20
4.1	MAINTENANCE SAFETY.....	20
4.2	RECOMMENDED SERVICE.....	20
4.3	GLASS CLEANING.....	20
4.4	BURNER & PILOT CLEANING	20
4.5	FIREBOX DISASSEMBLY & REASSEMBLY	21
4.6	FAN.....	22
5.0	TROUBLE SHOOTING	23
	OSBURN LIMITED LIFETIME WARRANTY	24

1.0 INTRODUCTION

1.1 Specifications

SPECIFICATIONS

TABLE 1

ITEM	NATURAL GAS (NG)	PROPANE (LPG)
INPUT:	North America	North America
	High 30,000 Btu/hr	30,000 Btu/hr
	Low 21,000 Btu/hr	22,500 Btu/hr
NORTH AMERICAN Flue Loss: EFFICIENCY:Fan off	73 %	73.5 %
Fan on	77.5 %	78 %
OUTPUT:	Fan off 21,900 Btu/hr (23.1 MJ/hr)	22,050 Btu/hr (23.2 MJ/hr)
	Fan on 23,250 Btu/hr (24.5 MJ/hr)	23,400 Btu/hr (24.6 MJ/hr)
MANIFOLD PRESSURE:	North America 3.5" w.c. (0.9 kPa)	10.0" w.c. (2.5 kPa)
GAS INLET SUPPLY PRESSURE:	North America Min: 5.0" w.c. (1.2 kPa)	Minimum: 11.0" w.c. 2.7kPa)
	Normal: 7.0" w.c. (1.7 kPa)	Normal: 13.5" w.c. (3.4 kPa)
	Maximum: 13.5" w.c. (3.4 kPa)	Maximum:13.5" w.c. (3.4 kPa)
ORIFICE SIZE: @ 0 - 4500'	#36 drill (.107" DIA.) (2.718mm)	# 52 drill (.064"DIA.) (1.626mm)
MAIN BURNER AERATION SHUTTER SETTING OPENING	North America (.115")	North America (.270")
CONTROL VALVE TYPE:	SIT 820 Nova	SIT 820 Nova
SHIPPING WEIGHT:	175 lb. (80 kg)	175 lb. (80 kg)
FLUE OUTLET SIZE:	4" X 6 5/8" (102mm X 168mm) Simpson - Modèle DV-GS Security Chimneys International (Secure Vent) Selkirk (Direct-Temp)	
FAN:	Variable Speed for North America	

NOTE: The efficiency rating of the appliance is a product thermal efficiency rating determined under continuous operating conditions and was determined independently of any installed system.

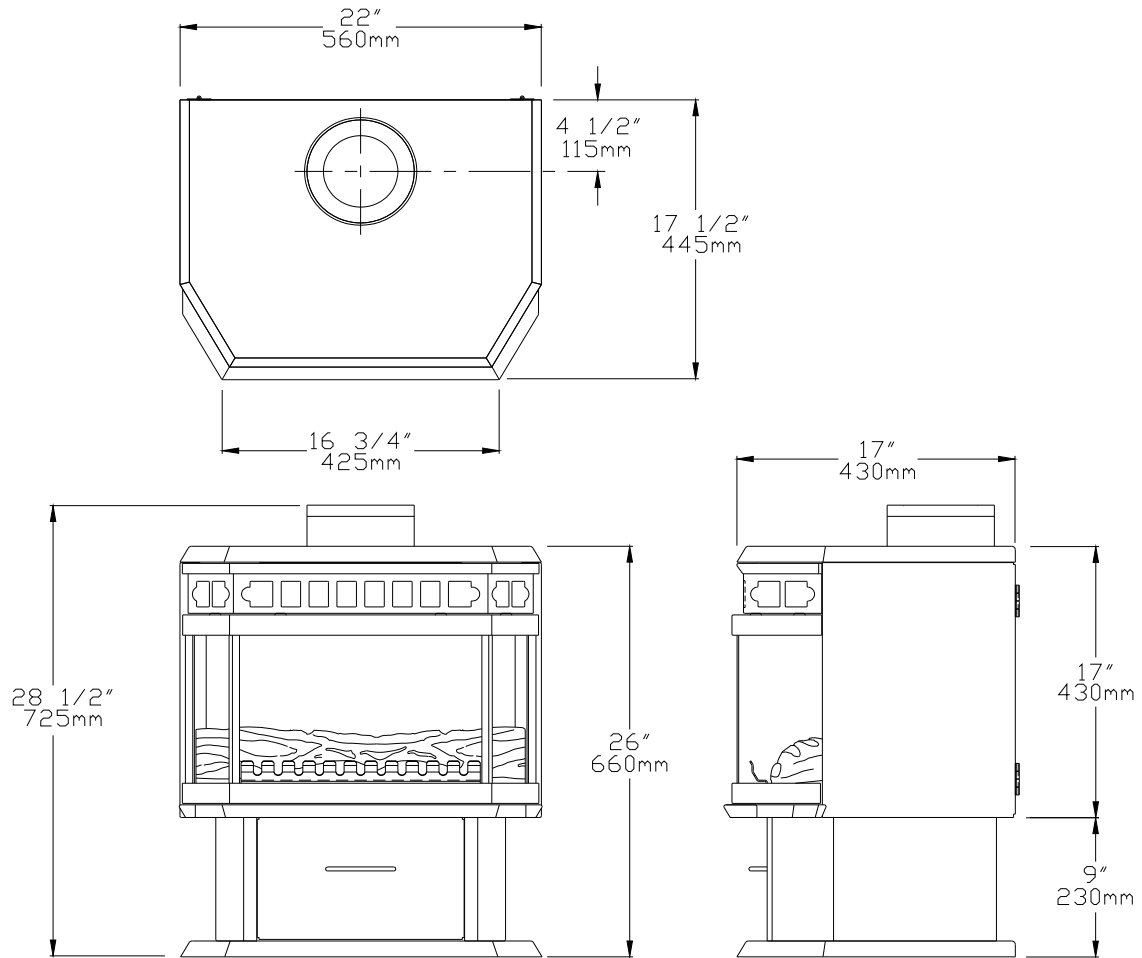


Figure 1

INSTALLATION CODES

Installation must conform to local codes. In the absence of local codes, installation must conform to the current National Fuel Gas Code, ANSI Z233.1 (in the U.S.), or with the current installation code CAN/CGA B149.1-M86 (in Canada). Certified for use in Canada, and USA. The conversion shall be carried out in accordance with the requirements of the provincial authorities having jurisdiction and in accordance with the requirements of the CAN/CGA B149.1-M86 Installation Code. The appliance, when installed, must be electrically grounded in accordance with local codes or, in the absence of local codes, with the National Electric code ANSI/NFPA No. 70 (in the U.S.), or with the current CAN/CSA C22.1 Canadian Electrical code (in Canada), or in other countries with the appropriate national code.

1.2 Features

IGNITION SYSTEM:

Standing pilot ignition system with thermocouple flame detection and piezo igniter.

GAS CONTROL:

Gas control valve type:

Automatic millivolt powered combination gas control valve with variable flame control for convenience and on/off switch. Optional wall thermostat, and/or optional remote control are available. The gas valve does not require electricity.

SAFETY CONTROLS:

A safety switch will shut the gas system down in the event of loss of pilot flame.

1.3 Intended Use

This appliance is intended to be used as a free-standing room heater when installed according to these instructions. This appliance is suitable for installation in bedrooms, see section 3.3.1, where the maximum input is within 50 cubic feet of room volume per 1000 BTU/hr, (i.e. 1500 minimum cubic feet). The appliance is also suitable for retrofit into mobile homes as in section 3.4. Installation must conform with the Standard for Manufactured Home Installations, ANSI A225.1/NFPA 501A.

1.4 General Safety

The appliance **must** be properly connected to a venting system in accordance with local codes. This unit must not be connected to a chimney or flue serving any other appliance.

WARNING: Operation of this heater when not connected to a properly installed and maintained venting system, or any tampering with the safety shut off system may result in carbon monoxide poisoning and possible death.

WARNING: Do not operate this appliance with the glass door or the glass panel(s) removed, cracked, or broken. Replacement of the glass panel(s) should be done by a licensed or qualified person.

Installation and repair should be done by a qualified service person. The appliance should be inspected before use and at least annually by a professional service technician. Provide adequate clearances around air openings and allow accessibility clearance for servicing and proper operation.

Do not use this heater if any part has been under water. Immediately call a qualified service technician to inspect the heater and replace any part of the control system and any gas control which has been under water.

2.0 OPERATION

2.1 Operation Safety

Always keep the appliance area clear and free from combustible materials, gasoline and other flammable vapours and liquids. Never obstruct the flow of ventilation air. Keep the front of the appliance clear of all obstacles and foreign materials. Never obstruct or modify the air inlet/outlet grilles of the stove in any manner.

CAUTION: Children and adults should be alerted to the hazards of high surface temperature and should stay away to avoid burns or contact with hot surfaces. Young children should be carefully supervised when they are in the same room as the heater. Clothing or other flammable material should not be placed on or near the unit.

The glass door and grille assembly must be properly installed prior to operation. **Never** operate the unit with the glass door off or broken since this may cause dangerous indoor air pollution. This unit is **not** for use with solid fuel. **Do not** substitute any parts or materials. **Do not** abuse the glass door. Behind the control panel door on the front of the pedestal is the control panel shown in Figure 2 below.

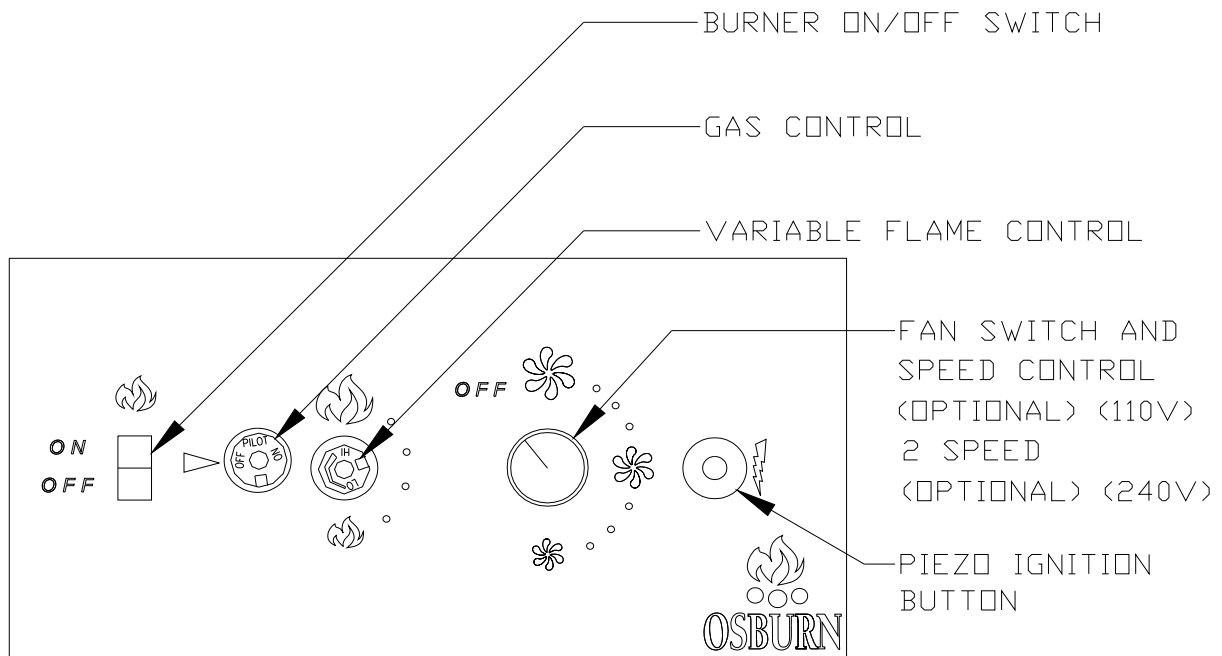


Figure 2

2.2 Lighting Instructions

WARNING: If you do not follow these instructions exactly, a fire or explosion may result causing property damage, personal injury or loss of life.

FOR YOUR SAFETY, READ BEFORE LIGHTING

- A. This appliance is provided with a standing pilot flame. When lighting the pilot, follow these instructions exactly:
- B. **BEFORE LIGHTING** smell all around the appliance area for gas. Be sure to smell next to the floor because some gas is heavier than air and will settle on the floor.

WHAT TO DO IF YOU SMELL GAS

- Do not try to light any appliance.
 - Do not touch any electrical switch: do not use any phone in your building.
 - Immediately call your gas supplier from a neighbour's phone. Follow the gas suppliers instructions.
 - If you cannot reach your gas supplier, call the fire department.
- C. Use only your hand to push in or turn the gas control knob. Never use tools. If the knob will not push in or turn by hand, do not try to force or repair it, call a qualified service technician. Forcing or attempted repair may result in a fire or explosion.
- D. Do not use this appliance if any part has been under water. Immediately call a qualified service technician to inspect the appliance and to replace any part of the control system and any gas control which has been under water.

LIGHTING PROCEDURE

1. **"STOP!"** Read the safety information in the previous section.
2. Set the thermostat to the lowest setting.
3. Turn off all electrical power to the appliance.
4. Open the control panel door, hinged to open downward, by pulling the handle toward you.
5. Push in the gas control knob slightly and turn clockwise to the "OFF" position. The valve with the control panel removed is shown in Figure 3.
6. Wait a minimum of five minutes to clear out any residual gas. If you then smell gas, **STOP!** Follow "B" in the Lighting Instruction section. If you don't smell gas, go to the next step.

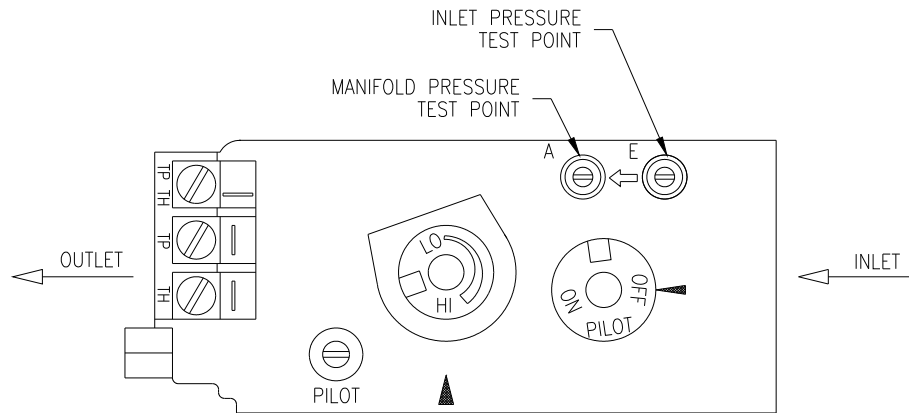


Figure 3

7. Press in the gas control knob and turn counter clockwise to the "PILOT" position.
8. Push in the control knob all the way and hold it in. Immediately push the piezo ignition button (the button to the right) repeatedly so that it clicks; continue until the pilot ignites. Maintain pressure on the control knob for about one minute after ignition. Then release the control knob; if the pilot flame goes out repeat step 8; if the pilot flame remains on then turn the valve knob counter clockwise to the "ON" position.

NOTE: If the pilot lights, but will not stay on after several tries, turn the gas control knob to the "OFF" position and call your service technician or gas supplier. If the control knob does not pop out when released, **STOP** - shut off the gas supply to the control valve, and **IMMEDIATELY** call your service technician or gas supplier.

9. Close the access door grille by lifting it and allow the springs to pull it closed.
10. Turn the burner switch to on (see Figure 2).
11. If equipped with a wall switch, select the "ON" position. If equipped with a thermostat or auxiliary control, set it to the desired setting.

SHUTDOWN PROCEDURE

1. To turn off the main burner only, turn off the wall switch, thermostat, or On/Off switch located on the control panel shown in Figure 2 located behind the control panel door on the front of the pedestal.
2. For complete shutdown of the appliance, depress the gas control knob and turn it clockwise to the "OFF" position.

2.3 Heat Output Adjustment

The appliance valve has a HI/LO knob to select the heat output and flame height (see Figure 2). Natural gas units can be turned down by 30%, propane units can be turned down by 25%.

3.0 INSTALLATION

3.1 Installation & Safety Notes

Read all instructions before beginning and follow them carefully during installation to ensure maximum benefit and safety. Failure to follow these instructions will void your warranty and may present a fire hazard. See the Osburn warranty at the back of this manual for improper installation disclaimers. This stove and its components are certified and safe when installed in accordance with this manual.

WARNING: Do not connect 120 VAC to the gas control valve or its wiring, as this will damage the valve.

3.2 Unpacking

Please check the appliance carefully for any damaged or missing components (specifically check the glass condition). Report any problems to your dealer.

The stove is shipped with the logs and burner packaged inside the firebox. See section 4.5, remove the door, cut the log tie, remove it and the log protector. All other standard parts are already in place.

3.3 Installation

In planning the installation, it is necessary to install certain items before the unit is completely positioned and installed. These include the vent system, the gas piping and the optional fan.

NOTE: All installations require venting.

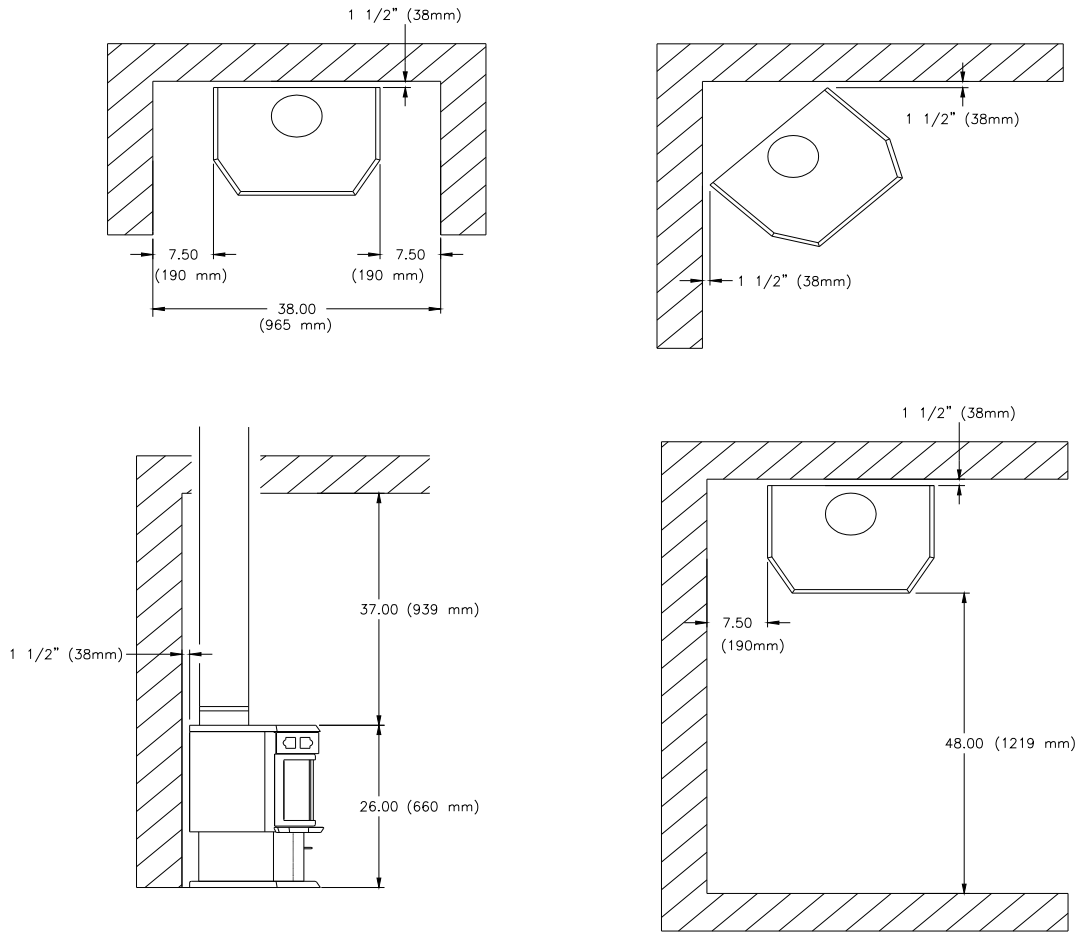
3.3.1 Bedroom Installation

This appliance is suitable for installation in bedrooms where the maximum input is within 50 cubic feet of room volume per 1000 BTU/hr, (i.e. 1500 minimum cubic feet). Where applicable, the installation must conform to the CR89-001 standard. A listed thermostat must be installed with a wire gauge and length conforming to Table 2 on page 14.

3.3.2 Minimum Clearances To Combustible Construction

A.	Sidewall:	7.5"	(190 mm)	measured to unit
B.	Back wall:	1.5"	(38 mm)	measured to unit
C.	Ceiling:	37"	(940 mm)	measured to cooktop
D.	Floor:	Install directly on combustible floor		
E.	Corner	1.5"	(38 mm)	measured to unit
F.	Front wall:	48"	(1219 mm)	measured to glass
G.	Alcove: (Depth)	48"	(1219 mm)	
	(Width)	38"	(965 mm)	
H.	Vent Cap: (Above)	14"	(355 mm)	
	Horizontal (Side)	6"	(150 mm)	clearance to combustibles
	(Side)	2"	(50 mm)	clearance to non-combustibles

MINIMUM ENCLOSURES ARE AS FOLLOWS:



CAUTION: Due to high temperatures, the appliance should be located out of traffic and away from furniture and draperies. Provide a minimum 48" (1219 mm) front clearance to the unit.

Note: The appliance may be installed directly on combustible flooring providing the unit stability is maintained. Although the back wall and corner clearance is 1.5" (38mm), we recommend 6" (150mm) for fan installation and removal.

3.3.3 Chimney Vent Installation

3.3.3.1 Direct vent

The stove must be connected to Simpson model DV-GS vent, Security Chimneys International (Secure Vent) or Selkirk (Direct-Temp) only. Only install the vent components according to the manufacturer's instructions. Use a maximum of two 90° elbows or four 45° elbows. Slope horizontal pipe at least 1/4" (6 mm) rise per foot of horizontal run. Allow 2" (50 mm) clearance to the vent. A vinyl siding standoff must be used when terminating horizontally to vinyl siding. Refer to the graph for allowable vent configurations.

Note: If at any time the vent-air intake piping is dismantled, use the vent manufacturers instructions and the sealing instructions on page 11 for reassembly.

THE MINIMUM VENT SYSTEM FOR HORIZONTAL TERMINATION MUST CONSIST OF

24" (610 mm) vertical length directly on top of stove
90° elbow
12" (305 mm) length horizontally (or 9" (230 mm) telescoping)
round support box/wall thimble
horizontal termination cap 0984
termination cap heat shield 0984HS (North America only)

THE MAXIMUM HORIZONTAL VENT SYSTEM CONSISTS OF:

6' (1830 mm) vertical length directly on top of the stove
90° elbow
10' (3050 mm) maximum horizontal length
horizontal termination cap 0984
snorkel kits can be used if needed. (Part #981 - 36" (915 mm) or Part #982 - 14" (355 mm))
(North America only)
vent terminal heat shield 0984HS (North America only)

Do not exceed more than 10' (3050 mm) of horizontal length of vent.

THE MAXIMUM VERTICAL SYSTEM CONSISTS OF:

up to 30' (9145 mm) of vertical length
fire stop
flashing
collar
low profile termination cap 0980

Use a ceiling fire stop when penetrating a ceiling. Use a round support box/wall thimble when penetrating an inside wall, or on an outside wall, only when additional support or decorative trim is required. The round support box is not required on basic installations.

NOTE: In Canada local codes may require the use of a wall thimble on horizontal terminations. Use part # 942.

TYPICAL CHIMNEY INSTALLATION:

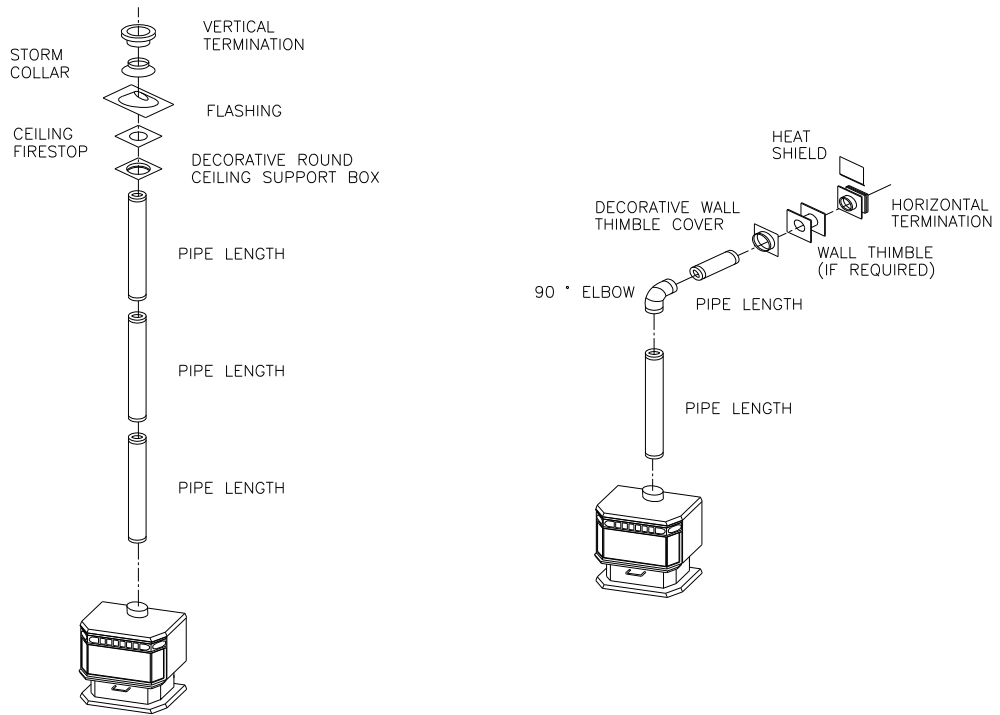


Figure 5

MINIMUM VENT REQUIREMENT:

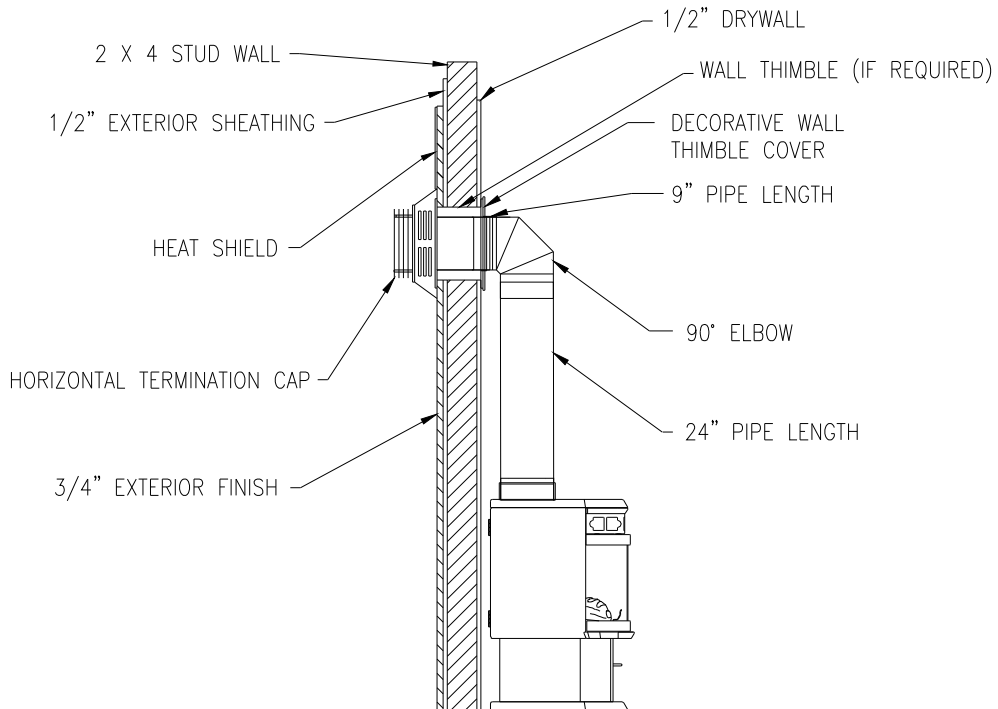
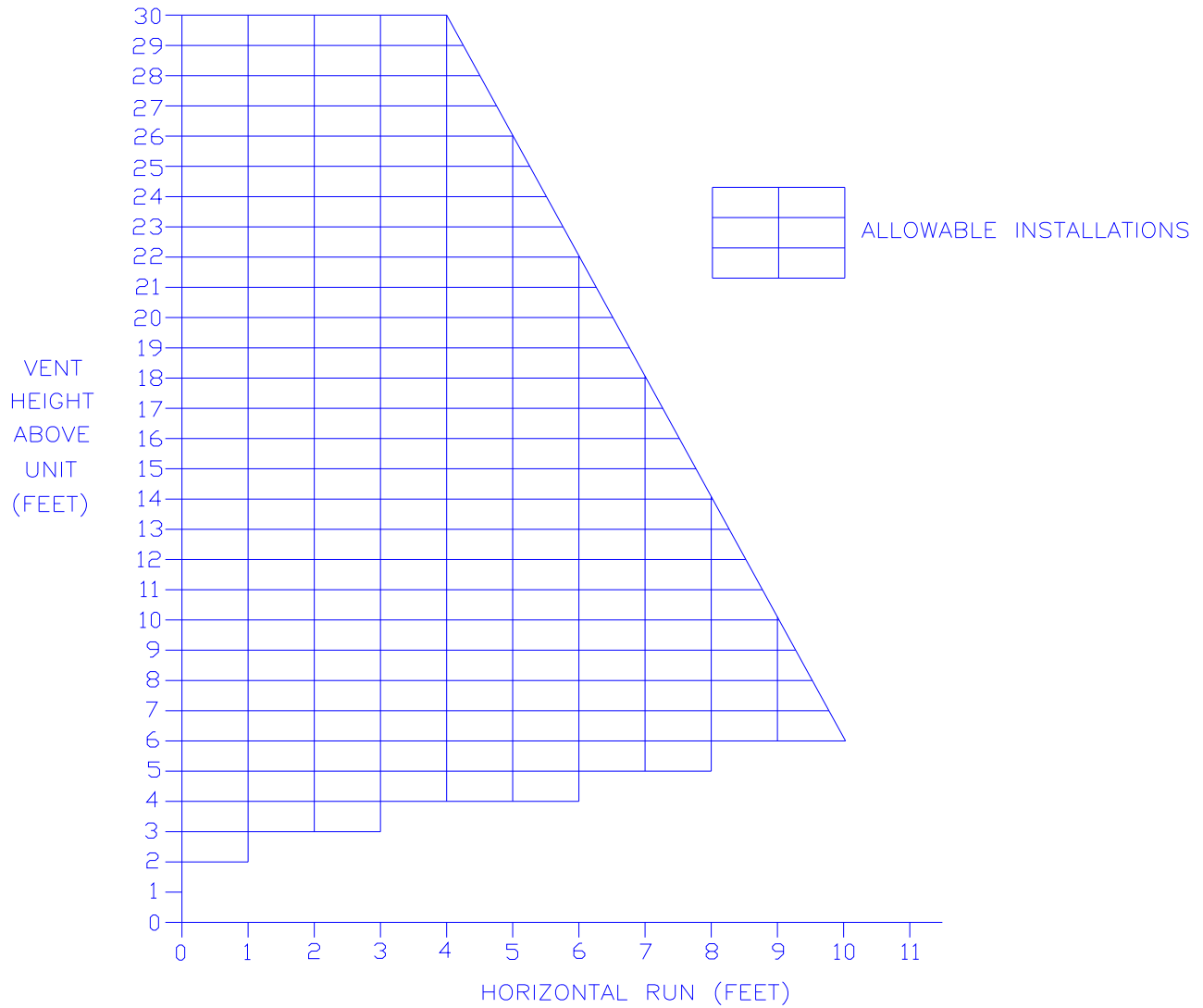


Figure 6

ALLOWABLE VENT INSTALLATIONS



USE OF SEALANT

Sealant is required on vent system joints. On longer vent runs, especially vertical runs, sealant will ensure that the combustion air enters from outdoors, and not through the vent joints. Use Mil-Pac Black sealant (or equivalent), available from local suppliers or Osburn dealers, on the inner pipe joint, applying the sealant around the outside of the male part of the vent. A bead of silicone should be used on the outside of the joint after assembly to seal the supply air.

VENT TERMINAL LOCATIONS

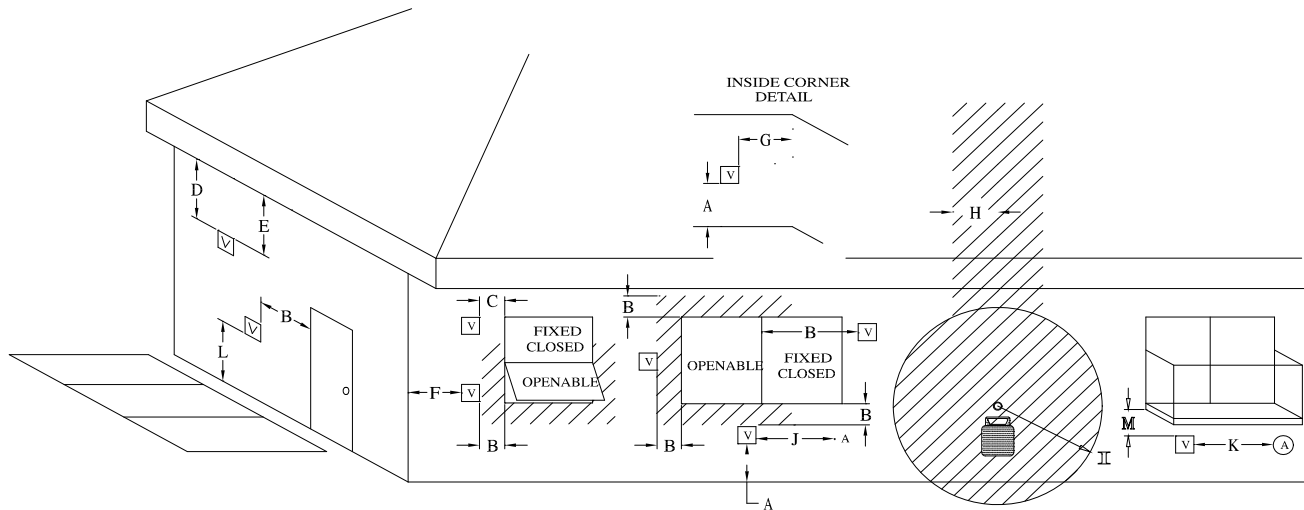


Figure 7

V Vent Termination

A Air Supply Inlet

- A = clearances above grade, veranda, porch, deck, or balcony [* 12" (305 mm) minimum]
- B = clearance to window or door that may be opened [* 12" (305 mm) minimum]
- C = clearance to permanently closed window [minimum 12" (305 mm) recommended to prevent condensation on window]
- D = vertical clearance to ventilated soffit located above the terminal within a horizontal distance of 24" (610 mm) from the center-line of the terminal [18" (455 mm) minimum]
- E = clearance to unventilated soffit [18" (455 mm) minimum]
- F = clearance to outside corner = 10" (255mm)
- G = clearance to inside corner = 2" (50mm) to non-combustibles, or 6" (150mm) to combustibles
- H = 36" clearance to each side of the centreline extended above the meter / regulator assembly to a maximum vertical distance of 15ft (4.57M)
- I = 36" clearance to service regulator vent outlet
- J = clearance to non-mechanical air supply inlet to building or the combustion air inlet to any other appliance [* 12" (305 mm) minimum]
- K = clearance to a mechanical air supply inlet [* 72" (1829 mm) minimum]
- L = clearance above paved side-walk or a paved driveway located on public property [* 84" (2134 mm) minimum]
- M = clearance under veranda, porch, deck, or balcony [* 12" (305 mm) minimum

- a vent shall not terminate directly above a side-walk or paved driveway which is located between two single family dwellings and serves both dwellings*
- only permitted if veranda, porch, deck, or balcony is fully open on a minimum of 2 sides beneath the floor*

- * as specified in CGA B149 Installation Code (1991) **NOTE:** local codes or regulations may specify different clearances
- * follow ANSI Z223.1 for U.S.A.

3.3.3.2 Optional B-Vent Installation

This unit may be modified for use as a vented room heater, by using the optional LA30 B-Vent adapter. Follow instructions included with the adaptor when using this option.

3.3.4 Gas Line Installation

A qualified gas fitter should install the gas line in accordance with all local building codes using a piping system meeting CAN/CGA 6.10, AGA 3, ANSI Z21.24 or Z21.45.

A plugged tapping is provided on the gas control for a test gauge connection to measure the manifold pressure, as well as a connection for inlet pressure measurement.

This appliance must be isolated from the gas supply piping system by closing its individual manual shut off valve during any pressure testing of the gas supply piping system at test pressures equal to or less than \square psig (3.45 kPa).

The appliance and its individual shut off valve must be disconnected from the gas supply piping system during any pressure testing of the system at test pressures in excess of \square psig (3.45 kPa).

WARNING: Do not use an open flame to test for gas leaks.

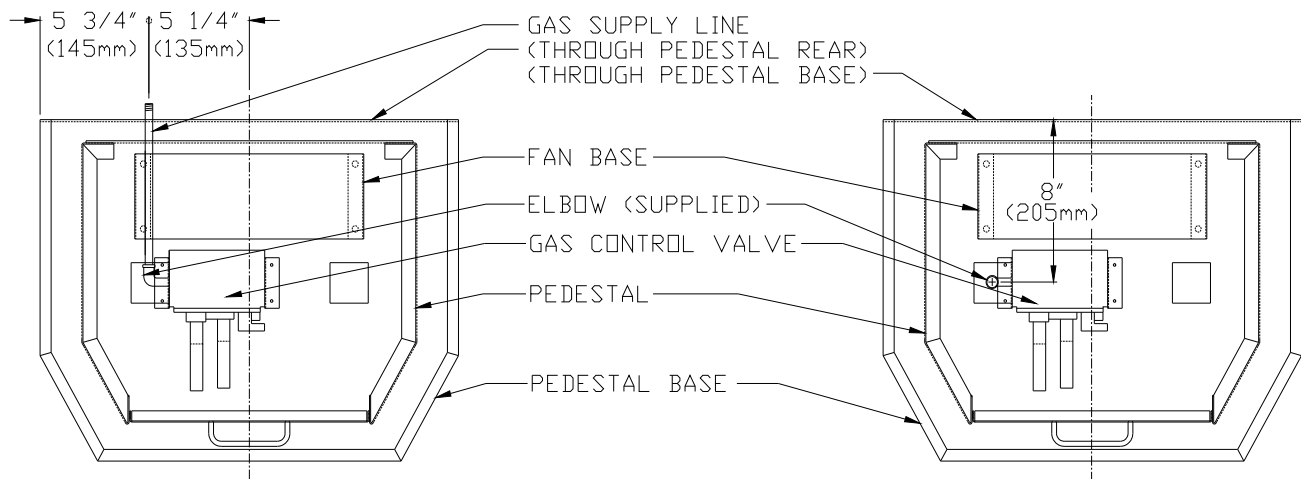


Figure 10a

Figure 10b

The gas line can be installed from two locations:

1. Install the gas line behind the stove and connect it to the inlet valve piping in the pedestal rear see Figure 10a.
2. Install the gas line from below the pedestal base through the 2"x 2" hole as shown in Figure 10b.

3.3.5 Thermostat, Wall Switch, Or Remote Control Installation

The burner control switch is located on the control panel behind the front door of the pedestal (see Figure 2). For your convenience, the stove can also be operated by a thermostat, a wall switch or a remote control. Millivolt thermostats and remote control kits are available from any authorized Osburn dealer.

NOTE: The thermostat or wall switch **MUST** be rated for millivolt use. Minimize splicing in all millivolt wiring & solder all unavoidable splices.

REMOTE CONTROL INSTALLATION

Please refer to instructions included with kit.

THERMOSTAT OR WALL SWITCH INSTALLATION

1. Mount the thermostat or wall switch in the desired location and run **"two conductor thermostat wire"** to the burner control switch (Figure 11a). To bypass the burner control switch, run the wires directly to the gas valve (Figure 11b).

Purchase **"two conductor thermostat wire"**, which is not provided, at any local supplier. The gauge of thermostat wire will determine the maximum wire length and distance at which to locate the thermostat or wall switch. See table 2 below and the information packaged with the thermostat. Be aware that, as the length of wire increases, the probability of adequate operating voltage decreases.

TABLE 2

THERMOSTAT WIRE INFORMATION

WIRE SIZE MAX. WIRE LENGTH

WIRE SIZE		MAX. WIRE LENGTH	
AWG	mm	ft.	m
22	0.6	10	3.1
20	0.8	25	7.6
18	1.0	40	12.2
16	1.3	64	19.5
14	1.6	100	30.5

2. Solder an appropriate wire connector to each wire. To connect to the burner switch, 1/4" female quick connects are required and to connect directly to the valve use spade tongue connectors.
3. Check tests can be performed on the valve by referring to the trouble shooting guide.

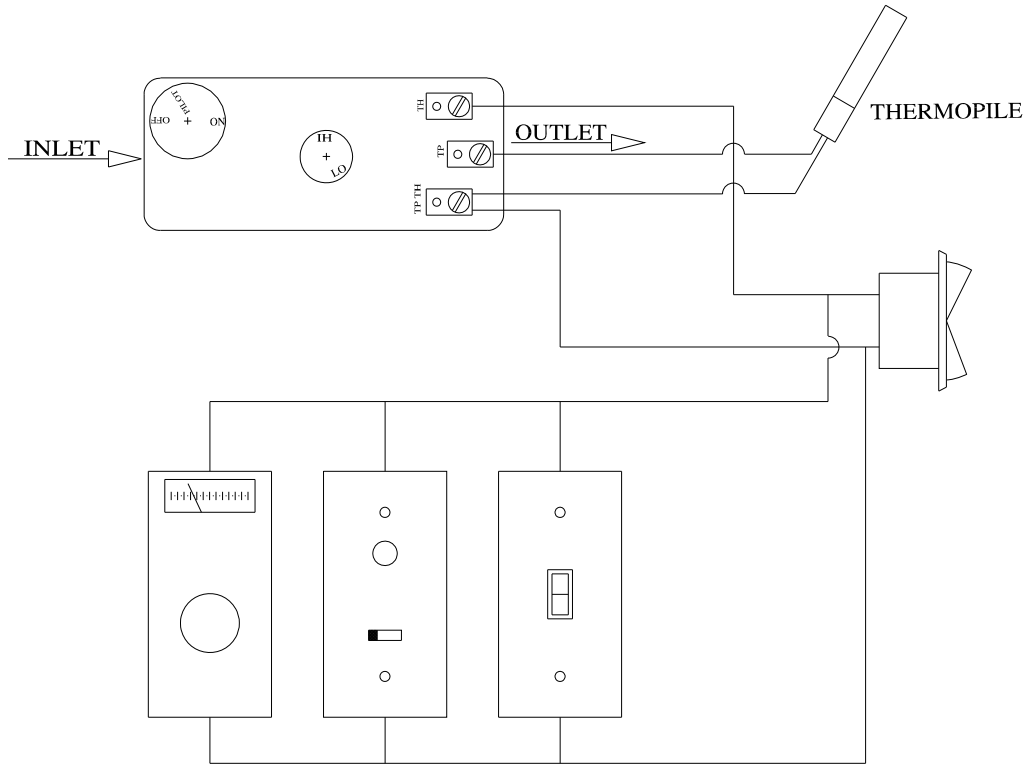


Figure 11a

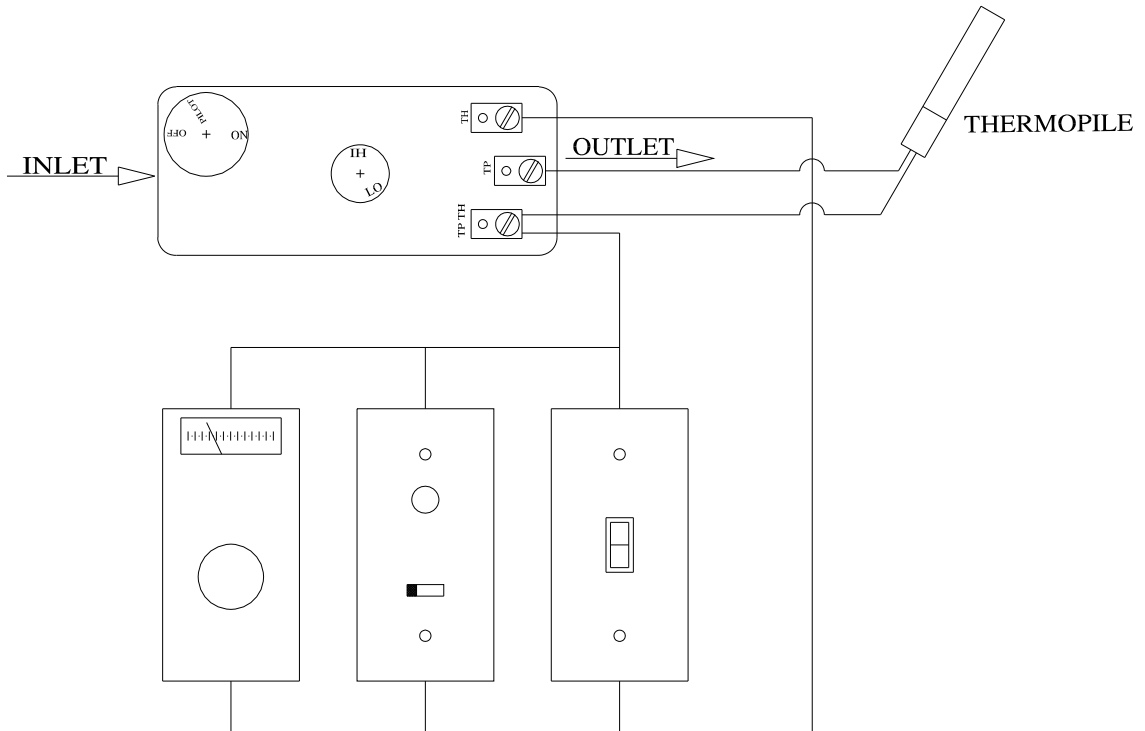


Figure 11b

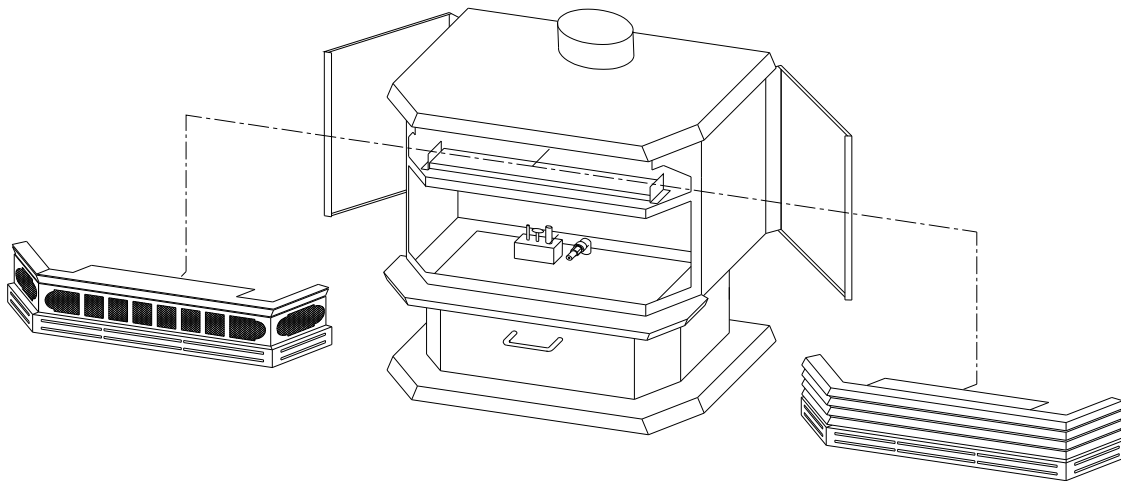


Figure 13

3.3.6 Firebox Component Installation

All components necessary for operation are in the firebox. The log set is in place on the burner and is protected with styrofoam. Remove the door and the foam. Otherwise, no pre-firing assembly is required.

3.3.6.1 Optional Ember Installation

NOTES: Optional embers are for North American units only. Use of embers must be done in accordance with the following instructions:

1. Remove ember bag from firebox.
2. Install embers as shown in Figure 14. **NOTES:** Embers must not cover burner ports.

Spacing between all embers is to be a minimum of 1/2".

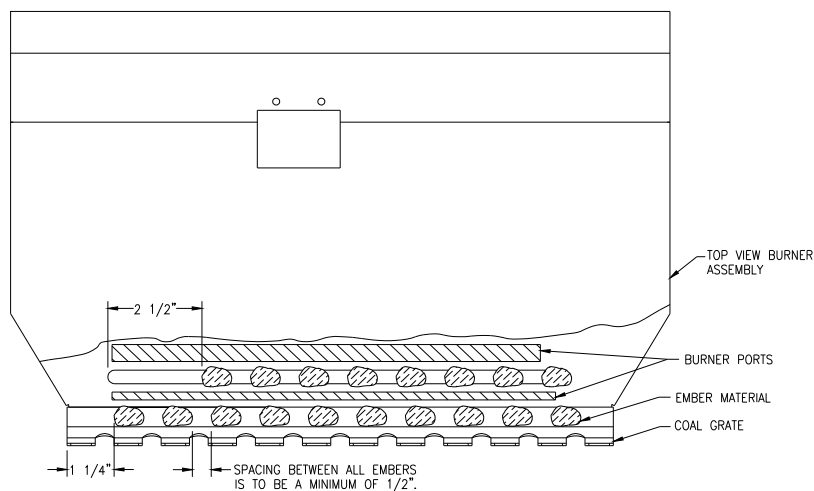


Figure 14

3.3.7 Initial Firing

NOTE: Make sure the pressure relief plate is in place before firing the appliance.

When lit for the first few times, the appliance may emit an odour resulting from evaporation of paint and lubricants used in the manufacturing process. Open a door or window for ventilation. Anyone with a respiratory condition may need to leave the room during the initial firings.

Occasionally, after a cold start, vapour may condense and fog the glass, and the flames may be partially blue. After a few minutes the moisture will disappear and after several more minutes the flames should become yellow.

NOTE: It may take up to 25 minutes for the flames to reach maximum height.

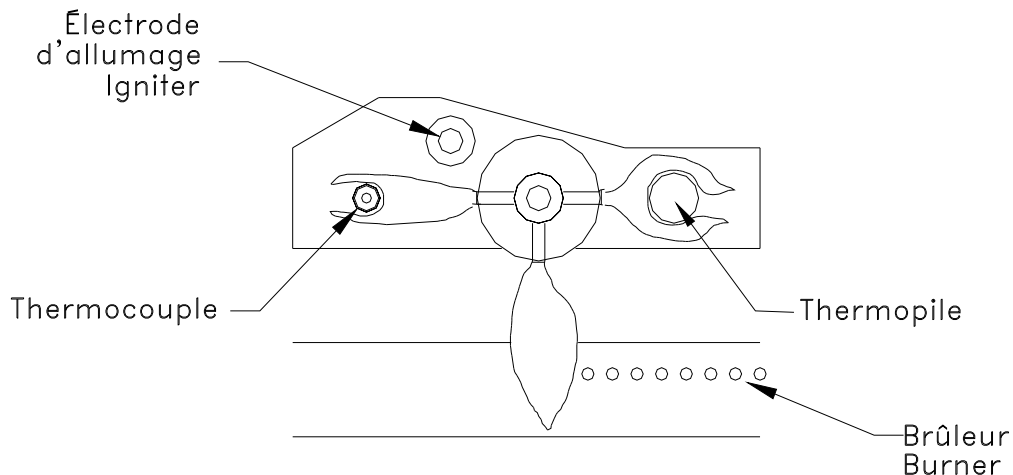
3.3.7.1 Manifold Pressure Regulator Adjustment

The manifold pressure regulator controls gas input and flame height, and is preadjusted at the factory. No further adjustment is required. Manifold pressure can be verified only.

3.3.7.2 Pilot Flame Adjustment

For proper operation, the pilot and main burner flames must be steady and not lifting off or floating. The top 3/8" (10-13 mm) of the thermopile should be engulfed by the pilot flame. The pilot flame adjustment should be performed by a qualified service person only. To adjust the pilot flame, turn the pilot adjustment screw counterclockwise to increase, and clockwise to decrease the flame. Ensure that the pilot flame completely engulfs the thermopile, as shown in Figure 15.

Figure 15



3.3.7.3 Altitude Adjustment

All valves have been preset and certified for installation at elevations from 0 - 4500 feet (0-1372 m) above sea level.

When installing this stove at higher elevations, it is necessary to decrease the input rating by changing the existing burner orifice to a smaller size. Input should be reduced 4% for each additional 1000 feet above sea level.

Use Tables 3A & 3B or check with the local gas authorities for proper orifice size identification. For the USA, derate the heater from sea level according to the gas installation code.

**TABLE 3A
ALTITUDE ADJUSTMENT BY CHANGING
ORIFICE (NATURAL GAS ONLY)**

ALTITUDE up to (ft)	REDUCTION (%)	ORIFICE SIZE	TARGET INPUT	MANIFOLD PRESSURE (in. wc)
4500	-	37	30,000	3.5
5500	4	38	28,800	
6500	8	39	27,600	
7500	12	40	26,400	
8500	16	40	25,200	
9500	20	41	24,000	
10500	24	42	22,800	
11500	28	43	21,600	

**TABLE 3B
ALTITUDE ADJUSTMENT BY CHANGING
ORIFICE (PROPANE/LP GAS ONLY)**

ALTITUDE up to (ft)	REDUCTION (%)	ORIFICE SIZE	TARGET INPUT	MANIFOLD PRESSURE (in. wc)
4500	-	53	30,000	10.0
5500	4	54	28,800	
6500	8	54	27,600	
7500	12	54	26,400	
8500	16	55	25,200	
9500	20	55	24,000	
10500	24	55	22,800	
11500	28	56	21,600	

3.4 Manufactured (mobile) Home Installation

This heater may be installed in manufactured (mobile) homes after the first sale. See and comply with the Installation Codes noted on page 2. This Direct Vent System Appliance must be installed in accordance with these instructions and the Manufactured Home Construction and Safety Standard

Title 24 CFR, Part 3280, or the current Standard for Fire Safety Criteria for Manufactured Home Installations, Sites, and Communities ANSI/NFPA 501A, and with CAN/CSA Z240 MH Mobile Home Standard in Canada.

1. Venting must be installed in the building interior or in an enclosed chase.
2. Use a maximum of two offsets, for example: four 45° elbows, or two 90° elbows. Slope horizontal pipe at least 1/4" (6.4mm) rise per foot of run. Horizontal runs should not exceed the vertical rise.
3. The vent shall extend at least 3 ft. (914mm) above the point where it passes through the roof and at least 2 ft. (610mm) above any wall, roof, or adjacent building within 10 ft. (3.1 meters) of it.
4. Do not fill the 2" (50mm) air space around the vent with insulation or any other material. Insulation placed in this area could cause adjacent combustibles to overheat.
5. Do not compromise the structural integrity of the manufactured home wall, floor, or ceiling.
6. The appliance must be grounded to the steel chassis of the home with 8 ga. copper wire using a serrated or star washer to penetrate paint or protective coating and ensure grounding. Secure the wire to the .182" dia. hole in the center rear of the pedestal base, see Figure 16.
7. Secure the heater to the floor with the use of two carriage bolts. Locate the heater in the desired position and turn the carriage bolts through the two 3/8" holes in the rear of the pedestal base as shown in Figure 16.
8. See section 3.3.3 Chimney Vent Installation for the required vent components and configurations.

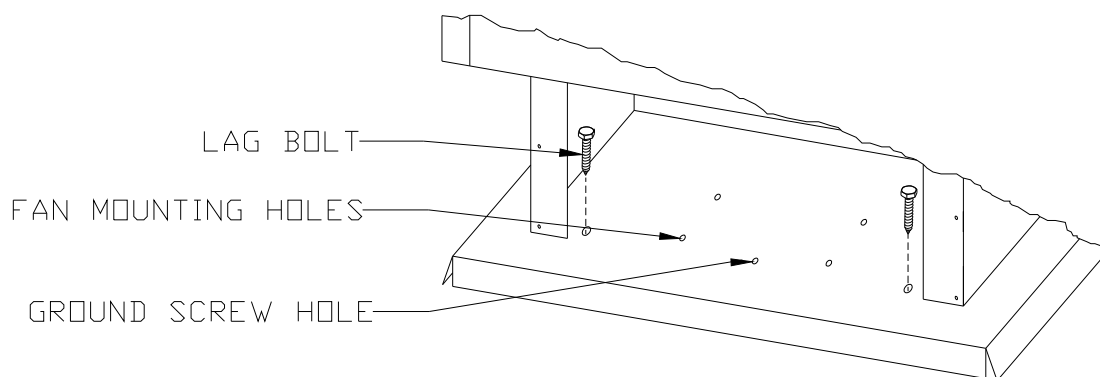


Figure 16

3.5 Field Conversions

Service and repair should be done by a qualified service person. Local building codes and installation codes listed in this instruction manual must be adhered to.

Follow the instructions included in the conversion kit.

4.0 MAINTENANCE

4.1 Maintenance Safety

Turn off the gas to the main burner and allow the heater to cool for up to 30 minutes before servicing. Service and repair should be done by a qualified service person. The appliance should be inspected before use and at least annually by a qualified service person. More frequent cleaning may be required due to excessive lint from carpeting, bedding material, etc. It is important that the access door compartment, burner, and circulating air passage-ways be kept clean to provide for adequate combustion and ventilation air flow. Do not substitute materials or use components other than factory supplied.

CAUTION: Label all wires prior to disconnection when servicing controls. Wiring errors can cause improper and dangerous operation.

4.2 Recommended Service

1. Examine the venting system periodically.
2. Visually check the burner and pilot flame periodically. If the burner is dirty, see section 4.5, remove it, and vacuum and/or clean it with a damp cloth. Visually check height and colour of flame.
3. Clean the glass as needed. See section 4.3 for instructions on glass cleaning.
4. Have the appliance inspected annually by a professional service technician.
5. Clean the appliance periodically.

4.3 Glass Cleaning

The inside of the glass may require periodic cleaning to remove deposits left from impurities in the gas and combustion air. For best results, use a ceramic glass cleaner or polish. Avoid the use of ammonia based cleaners such as Windex[®]. A suitable cleaner is available from your dealer. Do not clean while hot. Do not use abrasive cleaners.

4.4 Burner & Pilot Cleaning

1. Refer to section 4.5, remove the burner and check to make sure that the burner orifice is clean.
2. Visually inspect the pilot. Brush or blow away any dust, lint or foreign debris. If the pilot orifice is plugged, disassembly may be required to remove any foreign material from the orifice or tubing. When the appliance is back in service, check the burner flame pattern with the Pilot Flame Figures in section 3.3.7.2. For relighting, refer to the lighting instructions in section 2.2.

4.5 Firebox Disassembly & reassembly

The following procedure is to be performed by qualified service personnel ONLY.

Turn off the gas supply and allow the heater to cool before proceeding.

REMOVE THE VALVE AS FOLLOWS:

1. Open the side doors, and remove the top louvre by sliding it forward out of the clips under the top as in Figure 17.

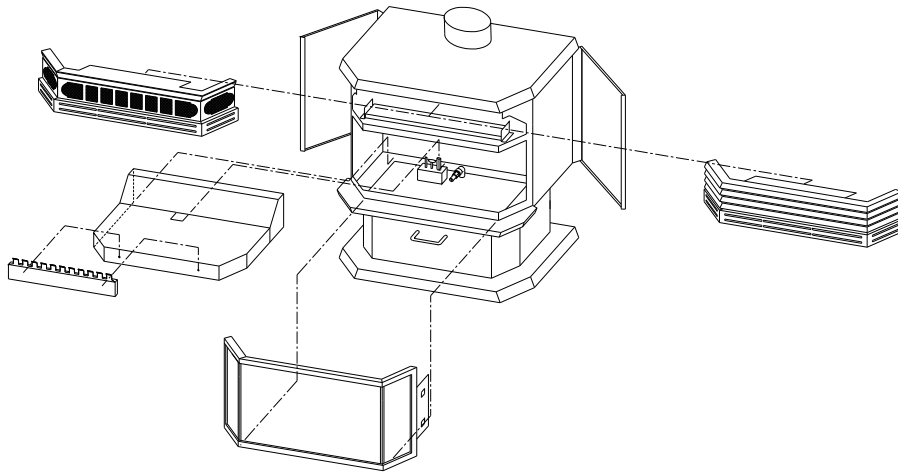


Figure 17

2. Hold the glass door while opening the four draw latches at the sides of the heater, then remove.

Proper log placement is very important. The one piece log set is designed to be placed in one position only.

3. Lift the log set off the location pins on the burner tray as shown in Figure 18, and remove.
4. Disconnect the gas line at the union upstream of the valve.
5. Remove the coal grate by lifting it up and out, and remove the burner tray assembly as a unit by pulling it forward and then lifting it up and out as shown in Figure 17.
6. Remove the 14 - 5/16" hex head screws holding the firebox bottom plate.

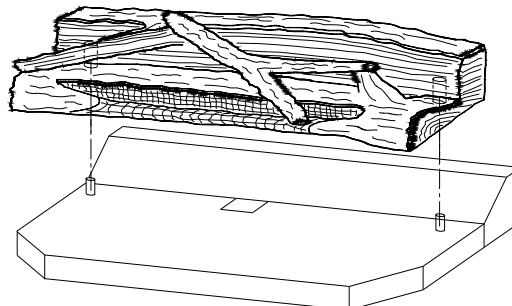


figure 18

7. To remove the control panel, open the door and remove the four side screws.
8. Remove the blue wires connected to the valve, the wire connected to the sparker, and the two valve extension knobs.
9. Lift the firebox bottom plate and valve assembly up and out of the firebox.
10. Reassemble the components in reverse order.

4.6 Fan

An optional fan is available. Installation and operational instructions are included in the fan kit.

5.0 TROUBLE SHOOTING

SYMPTOM	POSSIBLE CAUSE	CORRECTIVE ACTION
<p>I. Pilot will not light after repeated triggering of the piezo ignition button</p>	A. No spark at electrode (weak or no heat source for pilot ignition)	
	<ol style="list-style-type: none"> 1. Poor connections at starter and ignition electrode 2. Broken ceramic cover on ignition electrode 3. Defective piezo igniter 4. Poor grounding of piezo igniter 	<ol style="list-style-type: none"> 1. Reconnect if loose 2. Replace pilot assembly 3. Replace piezo igniter 4. Tighten mounting nut and/or igniter screws
	B. No gas or low gas pressure	
	<ol style="list-style-type: none"> 1. Gas line shut off(s) may not be turned on 2. No gas supply (LPG) 3. Air in gas lines 4. Gas lines may not be connected 5. Low pressure may be caused by bent line 6. Valve control knob not fully depressed in "PILOT" position 	<ol style="list-style-type: none"> 1. Turn on shut-off valves 2. Check propane tank; you may be out of fuel 3. Purge gas lines 4. Connect all gas lines 5. Check for a kinked line 6. Fully depress control knob
<p>II. Pilot will not stay lit after following the lighting instructions</p>	A. Thermocouple / Valve	
	<p>Weak or improperly located pilot flame Defective thermocouple Thermocouple not installed properly Open wire connection in pilot circuit Defective Valve</p>	<ol style="list-style-type: none"> 1. Adjust and clean pilot. The flame must impinge on or engulf the thermocouple, as shown in Figure 22 2. Replace thermocouple 3. Make sure all wire connections at the gas valve terminals are tight and the thermocouple is fully inserted into the mounting bracket 4. Check wire continuity and connections in the pilot circuit 5. Connect the millivolt meter probes to the thermopile terminals on the gas valve. Turn the valve to the "PILOT" position, depress, and light. If the meter reading is greater than 250 millivolts after 30 seconds, the thermopile is good. If the pilot does not stay lit, the valve is defective.

OSBURN LIMITED LIFETIME WARRANTY

The warranty of the manufacturer extends only to the original consumer purchaser and is not transferable. This warranty covers brand new products only, which have not been altered, modified nor repaired since shipment from factory. Proof of purchase (dated bill of sale), model name and serial number must be supplied when making any warranty claim to your OSBURN dealer.

This warranty applies to normal residential use only. Damages caused by misuse, abuse, improper installation, lack of maintenance, negligence or accident during transportation are not covered by this warranty.

This warranty does not cover any scratch, corrosion, warping, or discoloration caused by over firing, abrasives or chemical cleaners. Any defect or damage caused by the use of unauthorized parts or others than original parts void this warranty. An authorized qualified technician must perform the installation in accordance with the instructions supplied with this product and all local and national building codes. Any service call related to an improper installation is not covered by this warranty.

The manufacturer may require that defective products be returned or that digital pictures be provided to support the claim. Returned products are to be shipped prepaid to the manufacturer for investigation. If a product is found to be defective, the manufacturer will repair or replace such defect and reasonable transportation fees will be refunded. Repair work covered by the warranty, executed at the purchaser's domicile by an authorized qualified technician requires the prior approval of the manufacturer. Labour cost and repair work to the account of the manufacturer are based on predetermined rate schedule and must not exceed the wholesale price of the replacement part. All labour and freight costs covered by this warranty are limited according to the table below.

The manufacturer at its discretion may decide to repair or replace any part or unit after inspection and investigation of the defect. The manufacturer may, at its discretion, fully discharge all obligations with respect to this warranty by refunding the wholesale price of any warranted but defective parts. The manufacturer shall in no event be responsible for any special, indirect, consequential damages of any nature, which are in excess of the original purchase price of the product.

DESCRIPTION	WARRANTY APPLICATION	
	PARTS	LABOUR
Combustion chamber (welds only), heat exchanger, and castings.	Lifetime	5 years
Plating (defective manufacture) – subject to limitations above	Lifetime	n/a
Burner	5 years	3 years
Stainless steel baffle and parts	5 years	3 years
Carbon steel baffle and parts	2 years	1 year
Ceramic logs, masonry-like panels, and ceramic glass (thermal breakage only*)	2 years	n/a
Gas valve, pilot assembly & related parts, blowers, switches, rheostat, and other controls.	1 year	1 year
Paint (peeling) and gaskets	1 year	n/a

**Pictures required*

Shall your unit or a components be defective, contact immediately your **OSBURN** dealer. Prior to your call make sure you have the following information necessary to your warranty claim treatment:

- Your name, address and telephone number;
- Bill of sale and dealer's name;
- Serial number and model name as indicated on the nameplate fixed to the back of your unit;
- Nature of the defect and any relevant information.

Before shipping your unit or defective component to our plant, you must obtain from your OSBURN dealer an Authorization Number. Any merchandise shipped to our plant without authorization will be refused automatically and returned to sender.