

HIGH COUNTRY™ NZ6000 WOODBURNING FIREPLACE



Standard Features

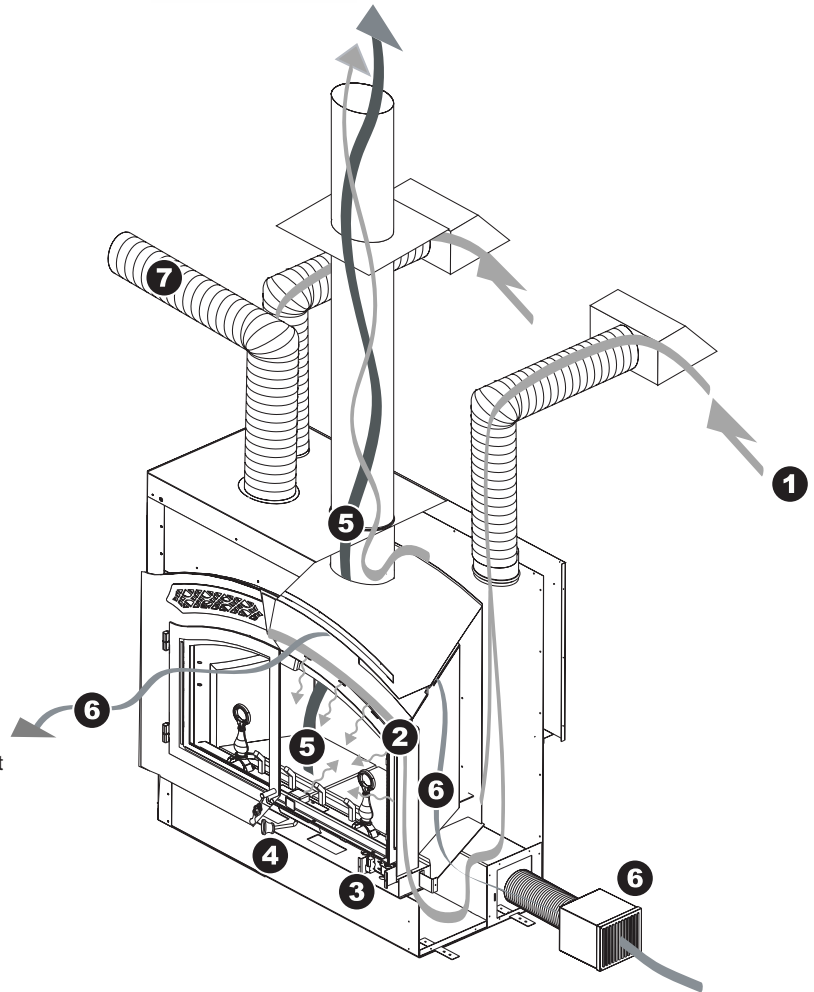
- Largest firebox in the industry allowing for a long, overnight burn
- Impressive 36" w x 22" h door opening - massive viewing area
- High efficiency and low emissions are achieved through a non-catalytic HIGH TECH DESIGN
- Advanced air wash system keeps the glass clean
- Heat radiating high temperature ceramic glass
- Heavy duty MIG welded 1/4" boiler plate construction
- Easy, single lever combustion control
- Firebrick lined firebox with a cast in Napoleon insignia, ensures quality in every fireplace
- Elegant cast iron andirons and grate
- President's Limited Lifetime Warranty

Options / Accessories

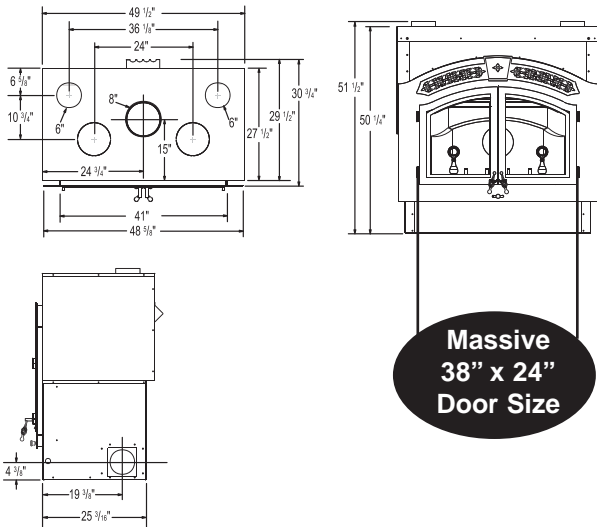
- Decorative arched double doors available in painted black, 24 karat gold plated, satin chrome, or hand crafted wrought iron finish
- Arched faceplate in wrought iron finish complete with upper grill and keystone
- Arched faceplate also available in painted black and satin chrome finish
- Decorative keystone and upper grill available in painted black, 24 karat gold plated or satin chrome finish
- Arched double door screen kit with heavy duty stand
- Country crane and hearth pot
- Powerful, remotely located and whisper quiet, 320 CFM air circulating blower with decorative grill and washable filter

Product Specifications

- Steel template included to ensure proper fit for facing material
- EPA certified - exempt
- 2-6" x 10 ft. outside combustion air vents and 1-6" x 10 ft. circulation vent
- Safety tested to North American Standards ULC 610, UL 127
- Can be used with solid packed and air-cooled chimneys



NZ6000 Dimensions



Anatomy of the perfect fireplace

1. Combustion and dilution air is brought into the unit through the fresh air intake collars located on the top rear of the unit.
2. The combustion air is brought into the firebox through many small holes in the airwash located at the top and sides of the opening.
3. Safety switch, the blower stops automatically when door is open and when door is closed, the blower starts again automatically
4. A single air control regulates the burn rate.
5. Combustion takes place inside the firebox, smoke and gases are moved around a large baffle system into a second chamber for complete combustion and extended flame path to extract maximum amount of heat and exhausts out the chimney.
6. The optional blower can be installed to draw fresh outside air into the home, or, if the house has sufficient air, then either the NZ150-KT kit or the blower can be installed inside. In either case heated air from the unit will circulate the air into your home.
7. The optional hot air gravity vent system may be used to distribute heat to an adjoining room (located either above, or beside the room containing the fireplace)

Other Napoleon Products



Consult your owner's manual for complete installation instructions. All specifications are subject to change without prior notice due to on-going product improvements. Products may not be exactly as shown. Patent US 5.307.801, 5.303.693, 75054-CAN.2.073.411, 2,082.915, 74589. Patents pending. ©Wolf Steel Ltd.

Authorized Dealer



- 103 Miller Drive, Crittenden, Kentucky, USA 41030
- 24 Napoleon Road, Barrie, Ontario, Canada L4M 4Y8
- 7200 Trans Canada Highway, Montreal, Quebec, Canada H4T 1A3

PHONE: 705-721-1212 • FAX: 705-722-6031

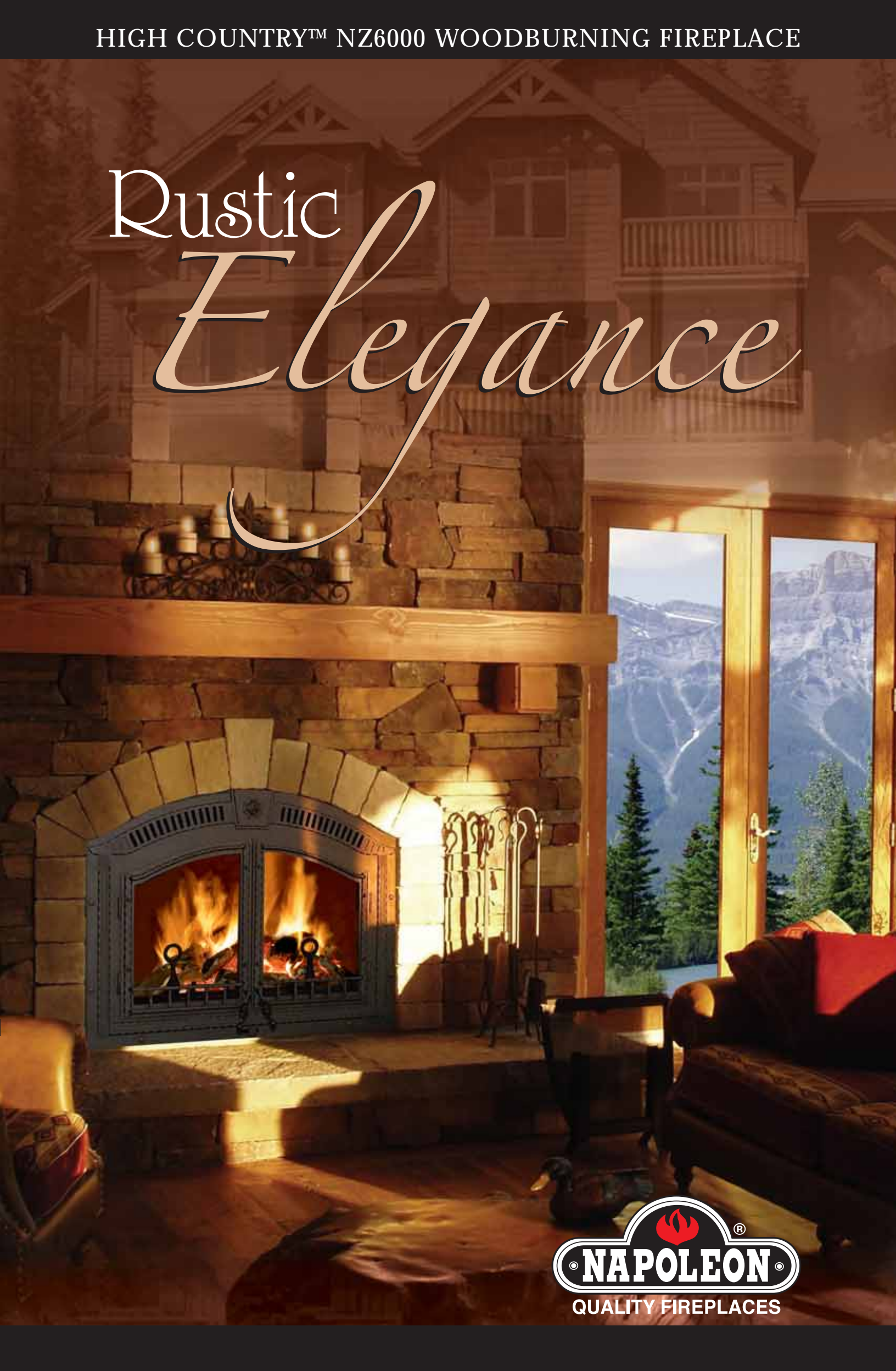
www.napoleonfireplaces.com



Printed in Canada
ADB241 10/2004

HIGH COUNTRY™ NZ6000 WOODBURNING FIREPLACE

Rustic
Elegance




NAPOLEON
QUALITY FIREPLACES



HIGH
COUNTRY™



NAPOLEON
QUALITY FIREPLACES

Arched double doors & faceplate in wrought iron
finish complete with keystone

A Timeless Tradition For Your Lifestyle



Massive door opening. Doors & faceplate shown with wrought iron finish accessories including a functional country crane and hearth pot

Optional Door Kits



Satin chrome arched double doors, faceplate, upper grill and keystone



24 karat gold plated upper grill, arched double doors and keystone with painted black faceplate



Painted black arched double doors, faceplate and upper grill with 24 karat gold plated keystone



Painted black arched double doors, faceplate upper grill and keystone

A showcase for your home

Napoleon's dedicated team of designers and engineers have taken wood burning to a higher level and created a distinctive fireplace experience never seen before in the industry!

The perfect blend of elegant, rustic styling and state-of-the-art wood burning technology makes this luxury fireplace an ideal choice to add class and artistry to your home.

The HIGH COUNTRY™ stands out in the crowd, well deserving the Napoleon insignia. Treasured for its quality and performance, every Napoleon fireplace is hand crafted to last for generations providing moments of togetherness and inspiring lasting memories.

Optional arched double door screen kit with heavy duty stand

