

ADVANCED FLAME
TECHNOLOGY
ENERGY
EFFICIENT

Features and Designer Options



Easy access hidden control panel



Solid cast iron, European design



45° venting for versatile horizontal or vertical installations



MIRRO-FLAME™
Radiant porcelain reflective rear panel



Optional Remote Control



Optional Giallo Golden Brown Finish Inset



Optional Ubatuba Green Finish Inset



Optional Lorena Slate Finish Inset

Arlington™
Cast Iron



Arlington™ - Compact in Size - Huge in Style

The Arlington™ cast iron gas stove, with its slender, space saving design and 45° venting, is perfect for smaller room applications. Even though small in size, it holds a large PHAZERAMIC™ burner system and brightly glowing ember bed, viewed through the European styled ceramic glass viewing area.

Model	BTU'S (Input)	Height		Front Width		Depth	
		Actual	Framing	Actual	Framing	Actual	Framing
GDS20	20,000	25 3/8"	N/A	19 1/4"	N/A	15 3/4"	N/A

Model	Glass Type	Glass Size		Efficiencies			Mobile Home
		Height	Width	EnerGuide	AFUE	Steady State	Approved
GDS20	Ceramic	18"	14"	60%	54.5%	78%	Yes

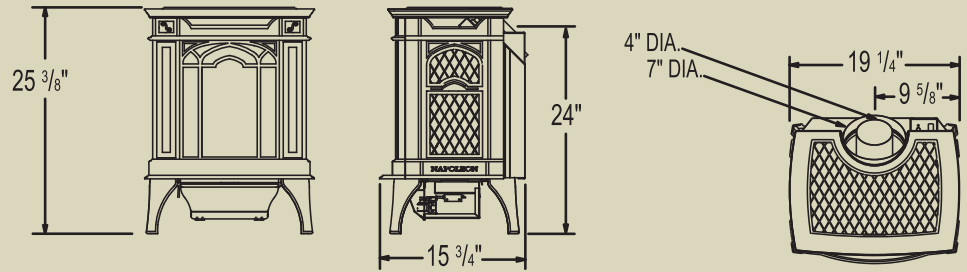
Minimum Clearances To Combustibles			
Model	Corner	Rear	Sides
GDS20	2"	2"	4"



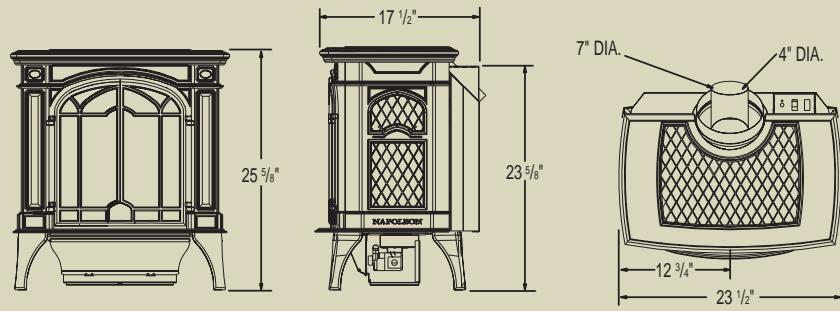
Gas Stove Dimensions

Model

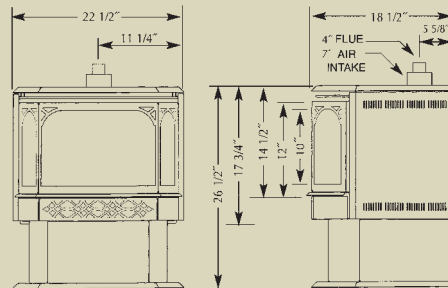
GDS20
Arlington™



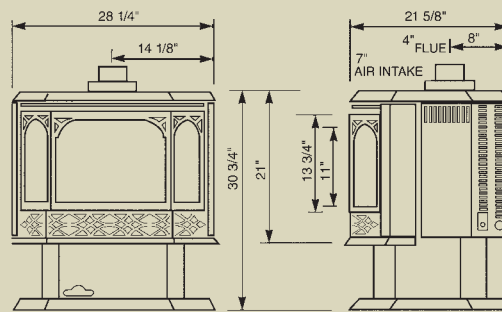
GDS25
Bayfield™



GDS28



GDS50



GDS60

